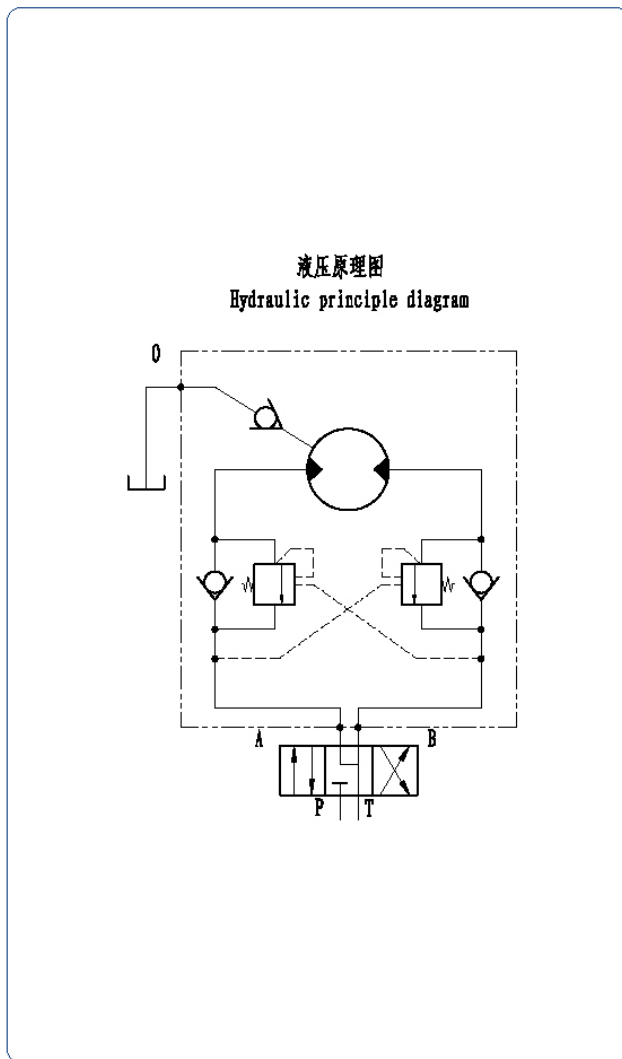
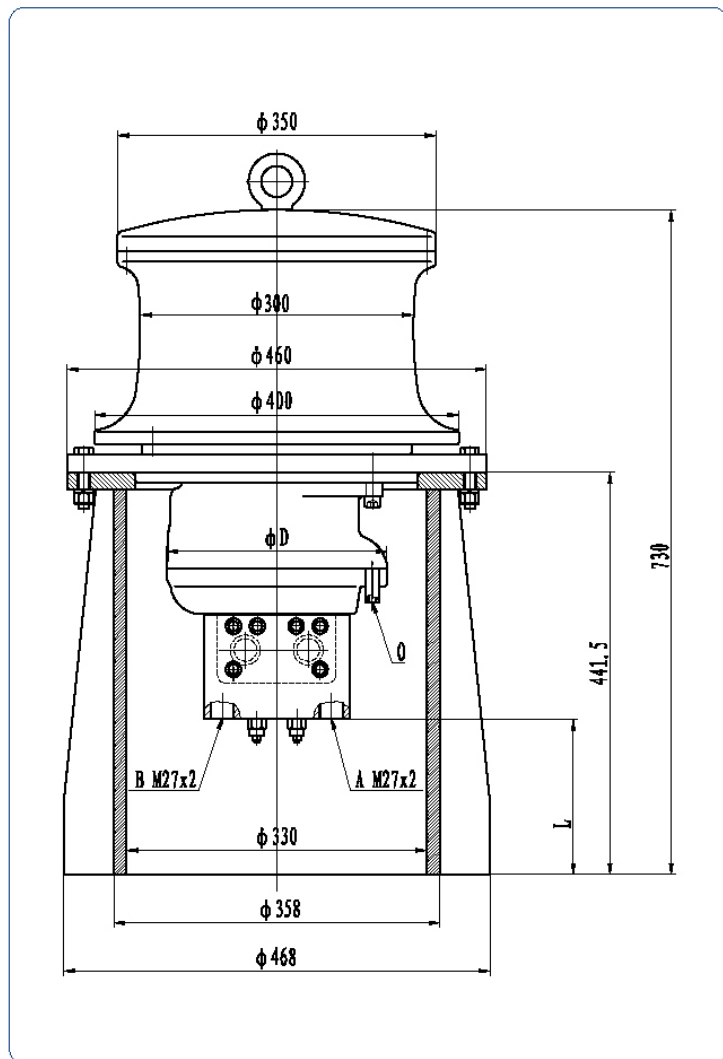


## IYJP3

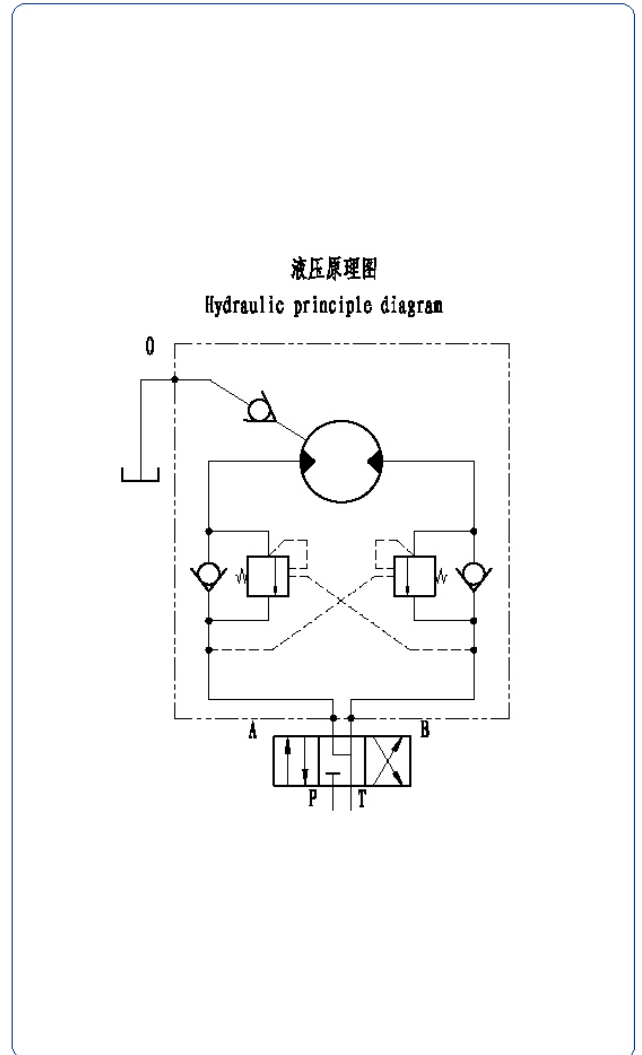
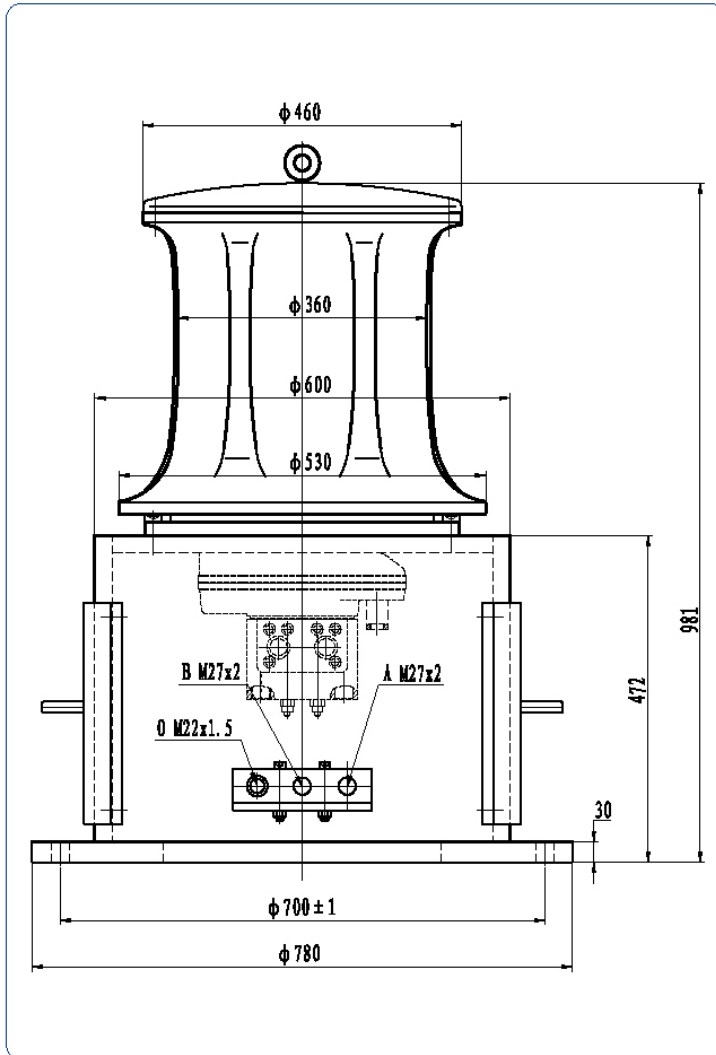


型号 Model	系统负载 System load (kN)	公称速度 Nominal speed (m/min)	钢丝绳直径 Diameter of rope (mm)	工作压差 Working pressure differential (MPa)	总排量 Displacement (ml/r)	供油流量 Oil supply (L/min)	液压马达型号 Hydraulic motor model	齿轮箱型号 Planetary gearbox model	D	L	O
IYJP3-10	10	25	13	14	860	25	INM1-175D47+F1202	C3AC(I-5)	242	170.6	G1/4"
IYJP3-20	20	20	15	12	2125	48	INM2-420D47+F1202	C3AC(I-5)	304	144.6	G1/2"
IYJP3-30	30	20	17	13	2825	63	INM2-550D47+F1202	C3AC(I-5)	304	144.6	G1/2"

注: 当3位4通换向阀需要“O”或“M”机能时马达与双向平衡阀之间必须设置双向缓冲过载阀。

Note: When the neutral position function of 3/4 directional valve is "o" or "M" type, crossover relief valve should be setted between hydraulic motor and bi-counterbalance valve.

## IYJP4

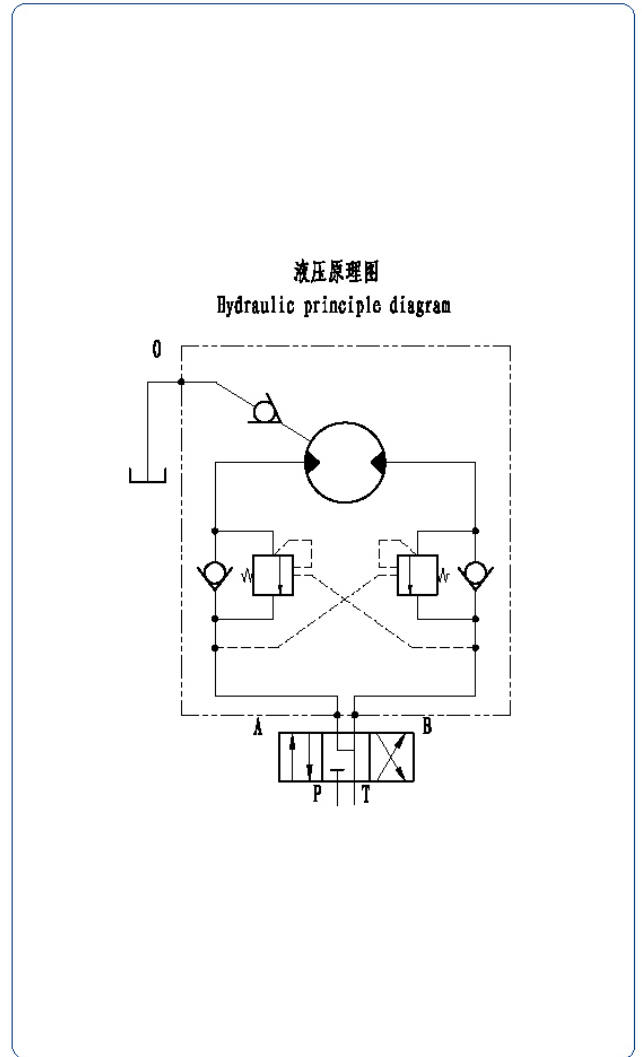
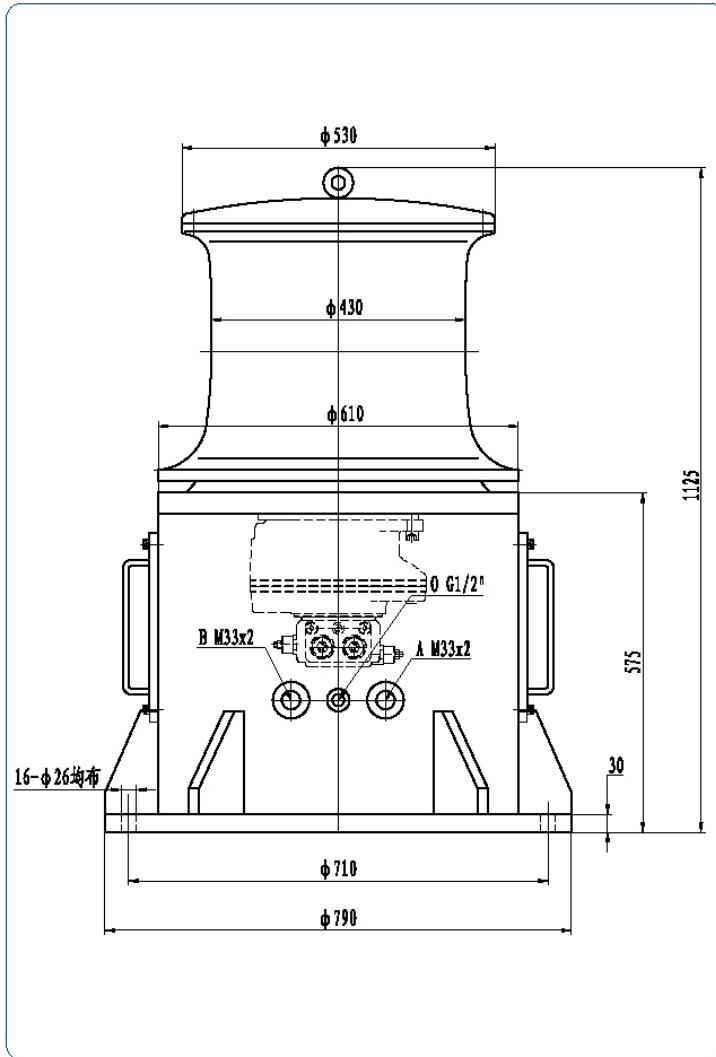


型号 Model	系统负载 System load (KN)	公称速度 Nominal speed (m/min)	钢丝绳直径 Diameter of rope (mm)	工作压差 Working pressure differential (MPa)	总排量 Displacement (ml/r)	供油流量 Oil supply (L/min)	液压马达型号 Hydraulic motor model	齿轮箱型号 Planetary gearbox model
IYJP4-40	40	15	20	14.5	3955	56	INM2-600D47+F1202	C4C(I=7)
IYJP4-50	50	15	20	16	4361	60	INM2-630D47+F1202	C4C(I=7)
IYJP4-60	60	15	22	19.5	4361	60	INM2-630D47+F1202	C4C(I=7)

注: 当3位4通换向阀需要“O”或“M”机能时马达与双向平衡阀之间必须设置双向缓冲过载阀。

Note: When the neutral position function of 3/4 directional valve is "o" or "M" type, crossover relief valve should be setted between hydraulic motor and bi-counterbalance valve.

## IYJP34

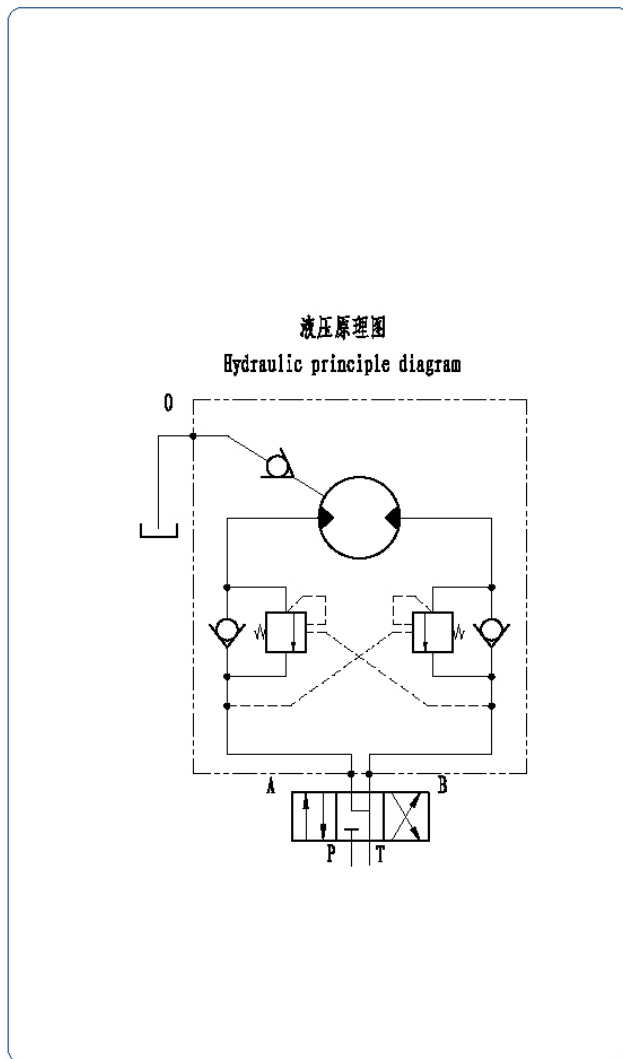
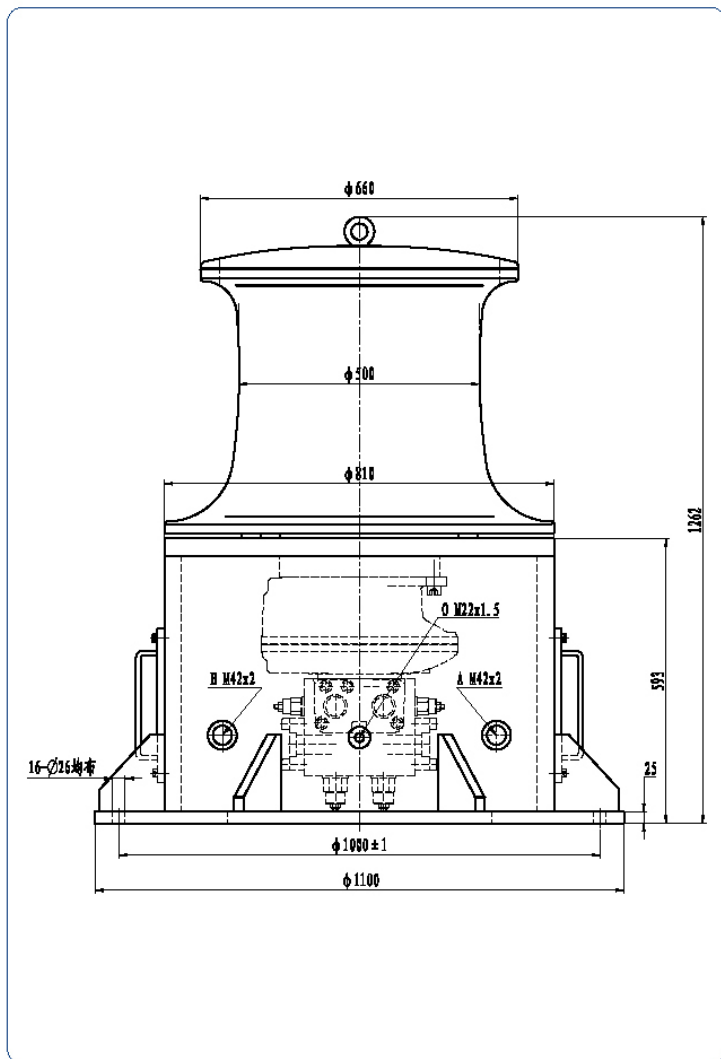


型号 Model	系统负载 System load (KN)	公称速度 Nominal speed (m/min)	钢丝绳直径 Diameter of rope (mm)	工作压差 Working pressure differential (MPa)	总排量 Displacement (ml/r)	供油流量 Oil supply (L/min)	液压马达型号 Hydraulic motor model	齿轮箱型号 Planetary gearbox model
IYJP34-80	80	12	24	12	11900	111	INW2-420D240221	C34C(I=28)
IYJP34-90	90	12	26	13.5	11900	111	INW2-420D240221	C34C(I=28)
IYJP34-100	100	12	28	15	11900	111	INW2-420D240221	C34C(I=28)

注: 当3位4通换向阀需要“0”或“M”机能时马达与双向平衡阀之间必须设置双向缓冲过载阀。

Note: When the neutral position function of 3/4 directional valve is "0" or "M" type, crossover relief valve should be setted between hydraulic motor and bi-counterbalance valve.

## IYJP45

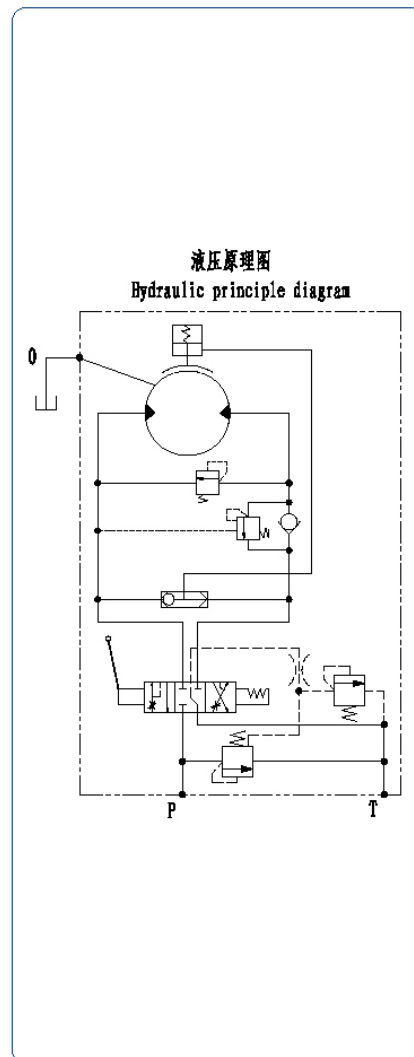
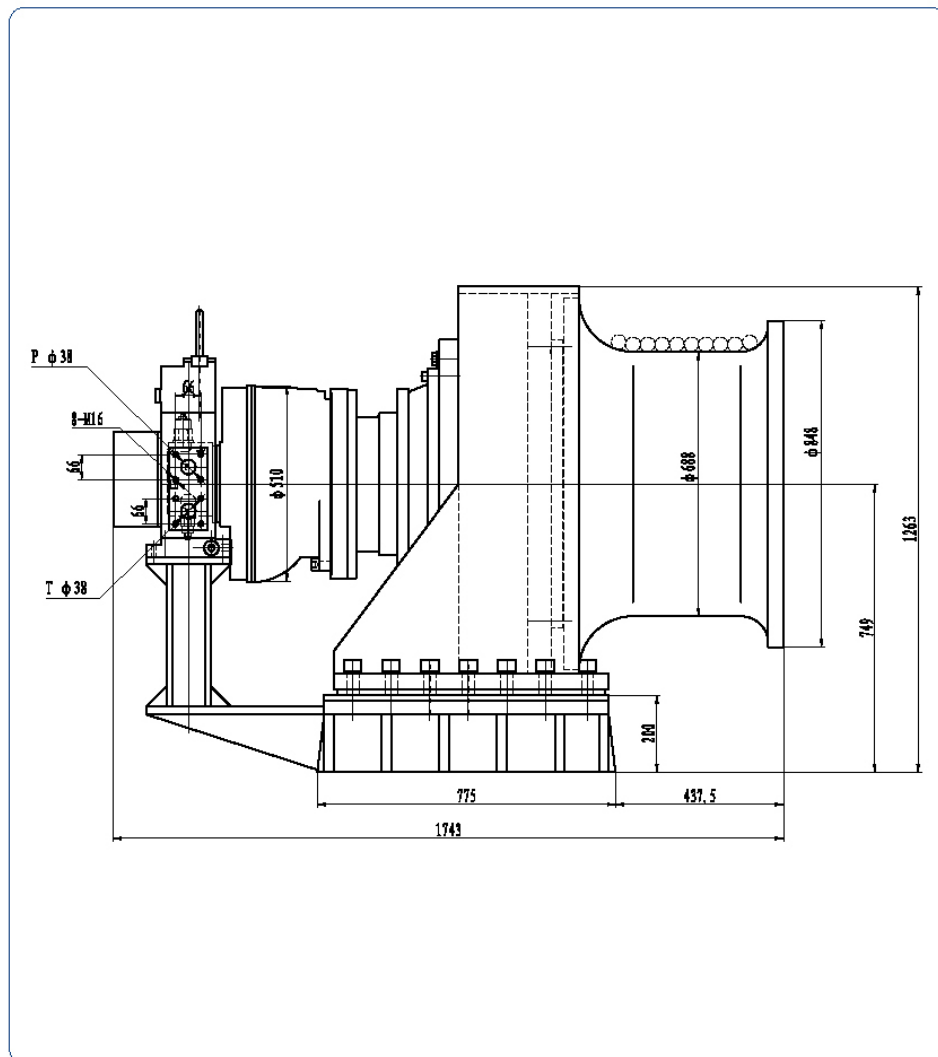


型号 Model	系统负载 System load (KN)	公称速度 Nominal speed (m/min)	钢丝绳直径 Diameter of rope (mm)	工作压差 Working pressure differential (MPa)	总排量 Displacement (ml/r)	供油流量 Oil supply (L/min)	液压马达型号 Hydraulic motor model	齿轮箱型号 Planetary gearbox model
IYJP45-120	120	12	30	14	17248	138	INM4-600D90+F480221	C45 (I=28)
IYJP45-140	140	12	32	16	17248	138	INM4-600D90+F480221	C45 (I=28)
IYJP45-150	150	12	32	14	22204	177	INM4-800D90+F480221	C45 (I=28)
IYJP45-160	160	12	34	15	22204	177	INM4-800D90+F480221	C45 (I=28)

注: 当3位4通换向阀需要“0”或“M”机能时马达与双向平衡阀之间必须设置双向缓冲过裁阀。

Note: When the neutral position function of 3/4 directional valve is "0" or "M" type, crossover relief valve should be setted between hydraulic motor and bi-counterbalance valve.

## IYJP79

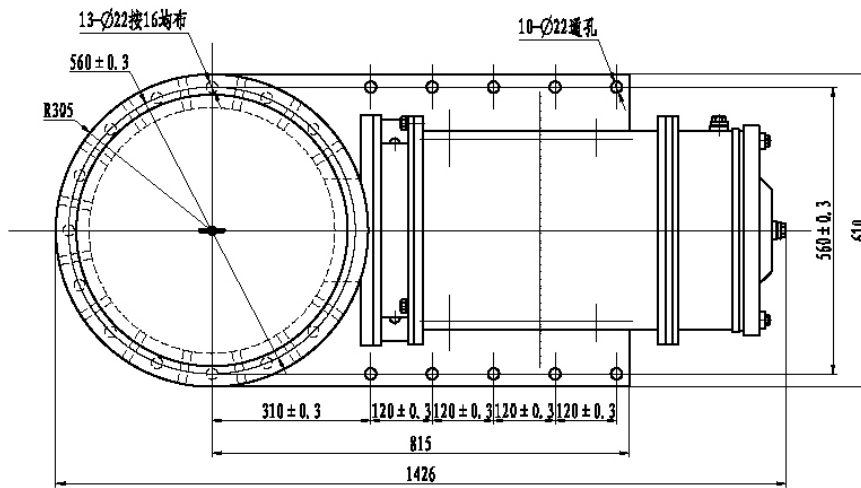
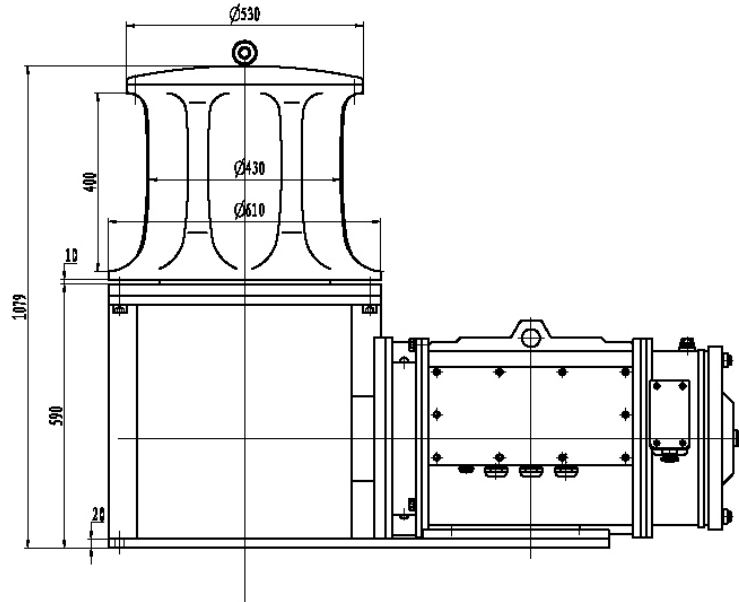


型号 Model	系统负载 System load (KN)	公称速度 Nominal speed (m/min)	钢丝绳直径 Diameter of rope (mm)	工作压差 Working pressure differential (MPa)	总排量 Displacement (ml/r)	供油流量 Oil supply (L/min)	液压马达型号 Hydraulic motor model	齿轮箱型号 Planetary gearbox model
IYJP79-240	240	10	36	14	46794	229	INM6-2000D90+F	C79 (I=22)
IYJP79-260	260	10	36	13	55286	270	INM6-2500D90+F	C79 (I=22)
IYJP79-280	280	10	38	11.5	66902	326	INM6-3000D90+F	C79 (I=22)
IYJP79-300	300	10	38	12.5	66902	326	INM6-3000D90+F	C79 (I=22)

注: 当3位4通换向阀需要“O”或“M”机能时马达与双向平衡阀之间必须设置双向缓冲过载阀。

Note: When the neutral position function of 3/4 directional valve is "o" or "M" type, crossover relief valve should be setted between hydraulic motor and bi-counterbalance valve.

## IDJP23

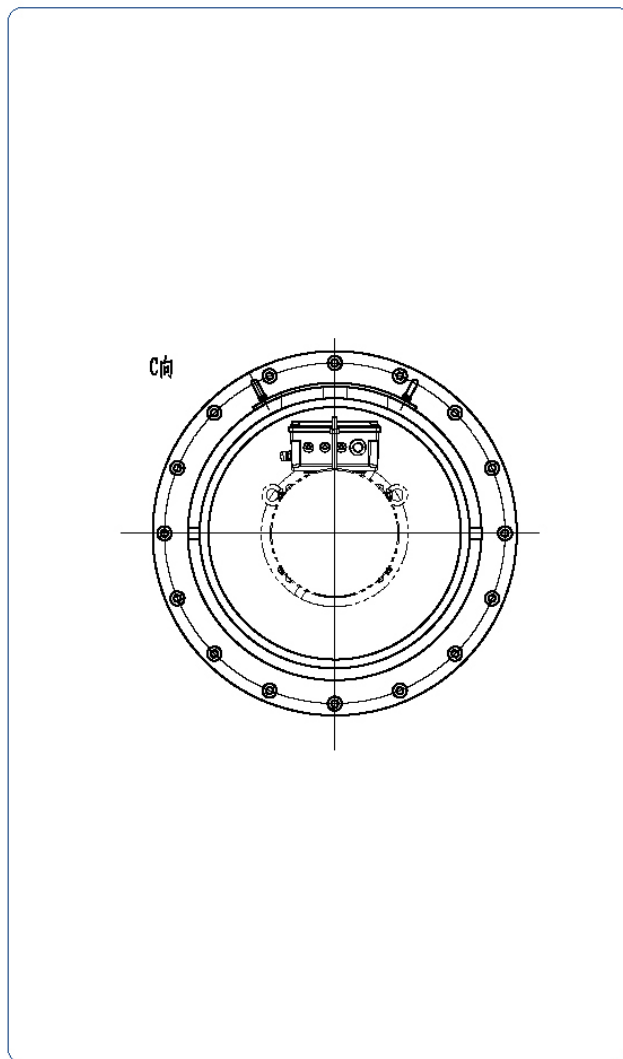
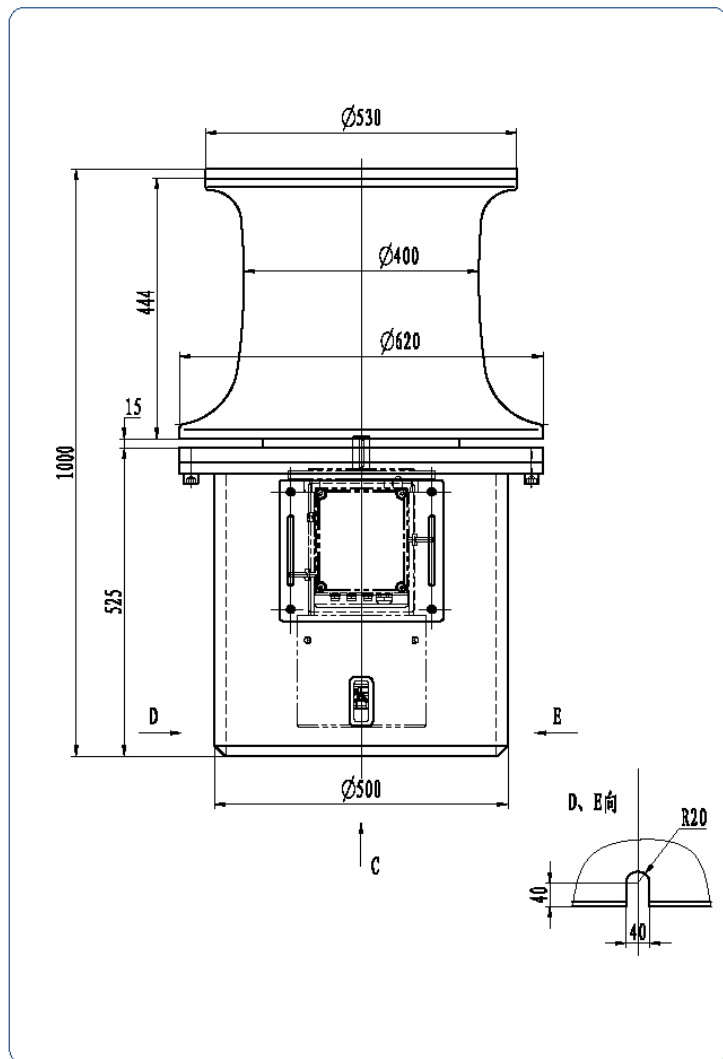


型号 Model	系统负载 System load (KN)	公称速度 Nominal speed (m/min)	钢丝绳直径 Diameter of rope (mm)	电机型号 Model of electromotor	电制 Parameter of electromotor		减速机 传动比 Ratio	电机功率 Power (KW)
					电压(V) Volt (V)	频率(Hz) Frequency (Hz)		
IDJP23-25/50	25/50	38.5/18.5	36	Y2225S-4/8-H	380	50	53.95	16.8/16.8

注：1. 表格里的外形尺寸均不包括电机尺寸，用户若所配的电机特殊，则联接部分的过度板和连接套需特殊加工。

Note: 1. The dimension of general electric motor is included in above installation drawing.  
If fitted electric motor is specific, the connection dimension is also changed.

## IDJP222

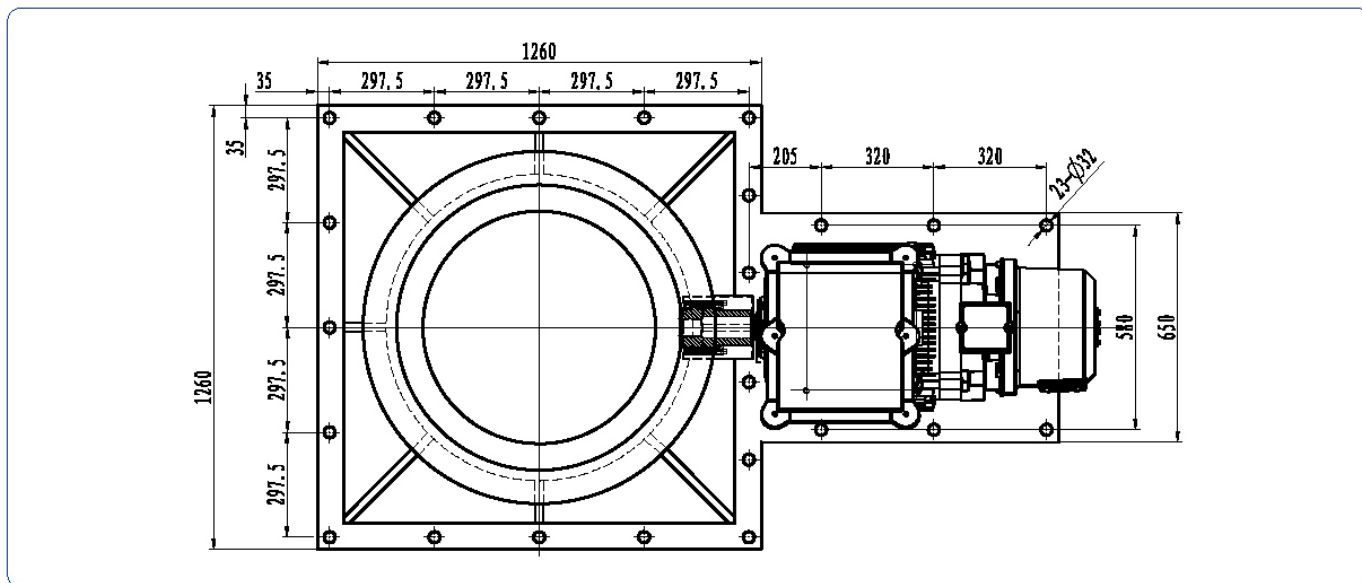
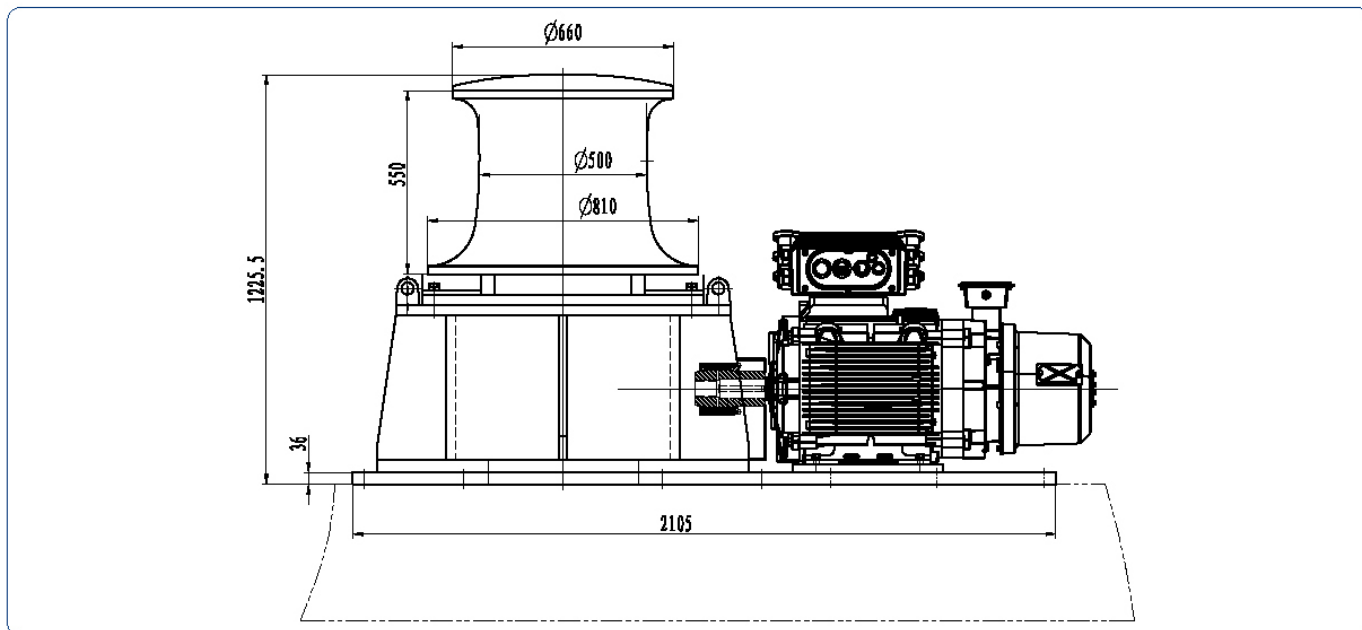


型号 Model	系缆负载 System load (kN)	公称速度 Nominal speed (m/min)	钢丝绳直径 Diameter of rope (mm)	电机型号 Model of electromotor	电机 Parameter of electromotor		减速器 传动比 Ratio	电机功率 Power (kW)
					电压 (V) Volt (V)	频率 (Hz) Frequency (Hz)		
IDJP222-9.8	9.8	15	40	LS112	380	60	163	3

注： 1. 表格里的外形尺寸均不包括电机尺寸，用户若所配的电机特殊，则联接部分的过度板和连接套需特殊加工。

Note: 1. The dimension of general electric motor is included in above installation drawing.  
If fitted electric motor is specific, the connection dimension is also changed.

## IDJP445



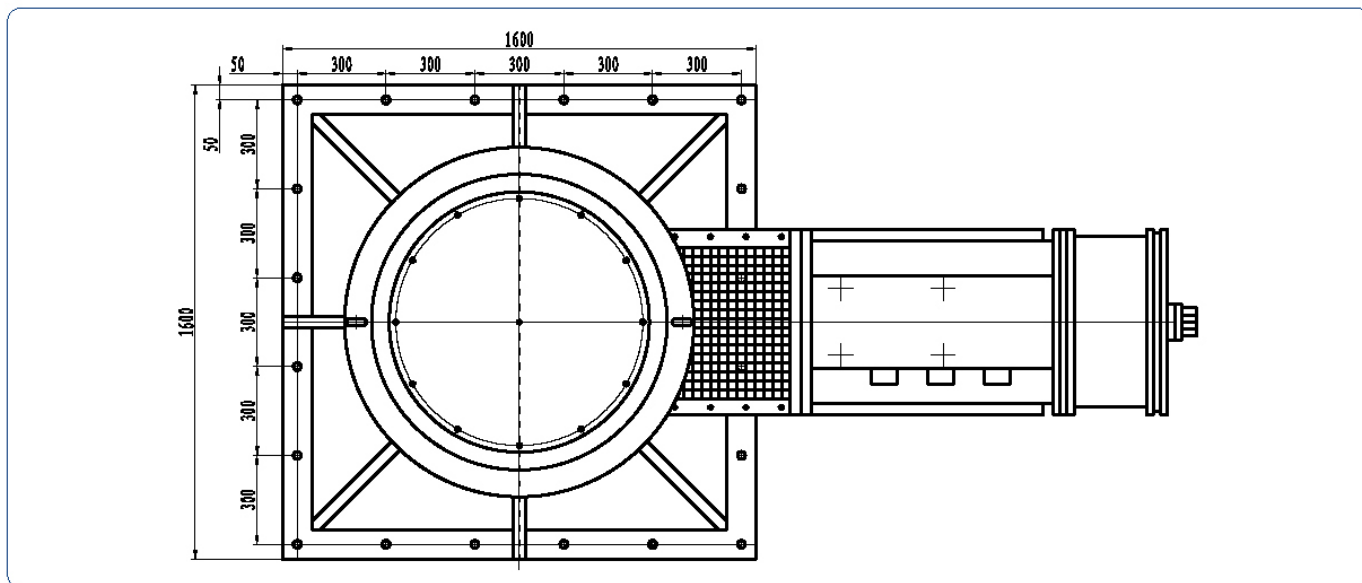
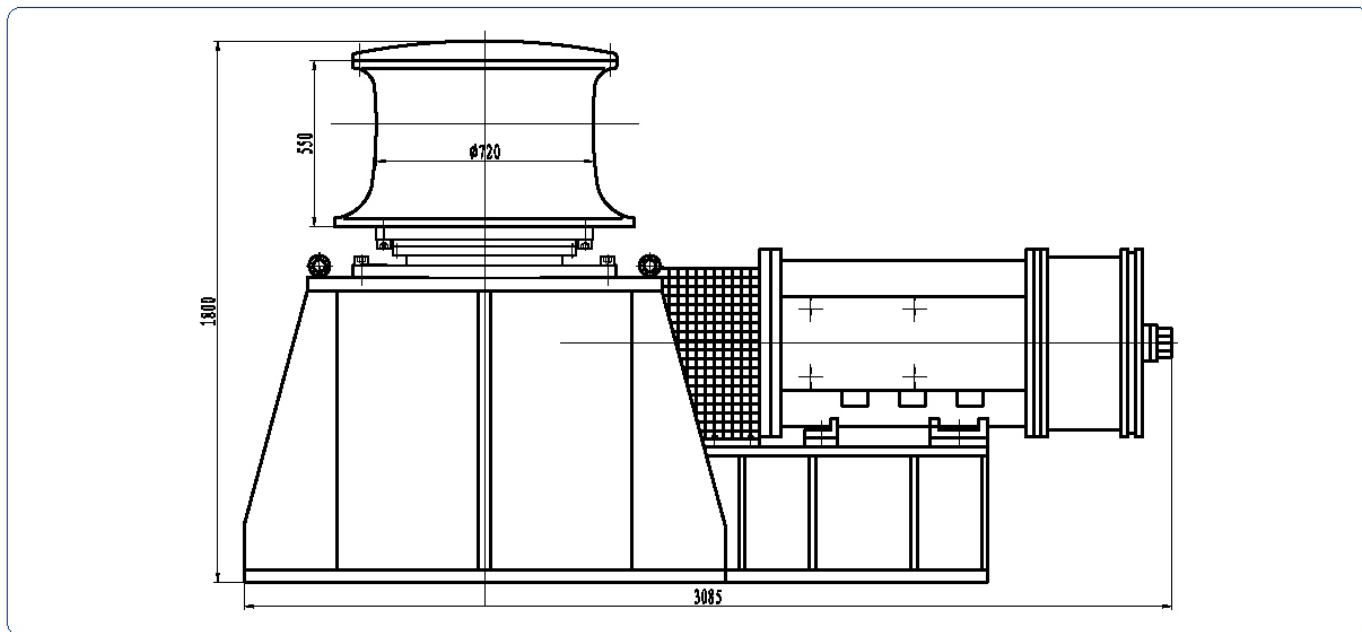
型号 Model	系统负载 System load (kN)	公称速度 Nominal speed (m/min)	钢丝绳直径 Diameter of rope (mm)	电机型号 Model of electromotor	电制 Parameter of electromotor		减速器 传动比 Ratio	电机功率 Power (kW)
					电压 (V) Volt (V)	频率 (Hz) Frequency (Hz)		
IDJP445-98	98	25	36	FLS25SM	440	60	116.325	51

注：1. 表格里的外形尺寸均不包括电机尺寸，用户若所配的电机特殊，则联接部分的过度板和连接套需特殊加工。

Note: 1. The dimension of general electric motor is included in above installation drawing.  
If fitted electric motor is specific, the connection dimension is also changed.



## IDJP899



型号 Model	系统负载 System load (KN)	公称速度 Nominal speed (m/min)	钢丝绳直径 Diameter of rope (mm)	电机型号 Model of electromotor	电制 Parameter of electromotor		减速器 传动比 Ratio	电机功率 Power (KW)
					电压 (V) Volt (V)	频率 (Hz) Frequency (Hz)		
IDJP889-300	300	20	40	YZ315L-4/8/16-H	415	50	89	135

注：1. 表格里的外形尺寸均不包括电机尺寸，用户若所配的电机特殊，则联接部分的过度板和连接套需特殊加工。

Note: 1. The dimension of general electric motor is included in above installation drawing.  
If fitted electric motor is specific, the connection dimension is also changed.