

IA4VG系列轴向柱塞变量泵

特点

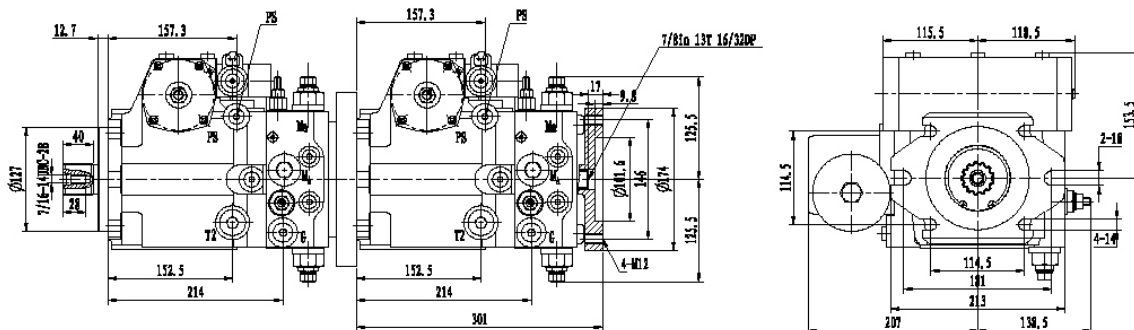
- 斜盘式轴向柱塞变量泵，用于闭式回路中的静压传动
- 流量与驱动转速和排量成正比
- 通过调节旋转斜盘角度，可实现流量的无极调节
- 当斜盘通过中位时，液压油流动方向会平稳改变
- 高压侧装有两个压力溢流阀，以防静压传动(泵和马达)过载
- 内置补油泵充当补油泵和控制泵
- 最大补油压力受内置的低压溢流阀限制

IA4VG Series Axial Piston Variable Displacement Pump

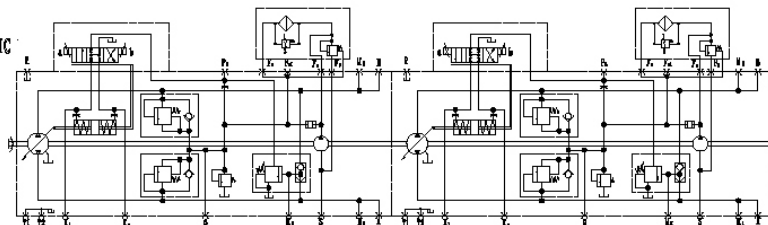
Standard Features

- The bent axial piston variable displacement pump is for hydrostatic transmission in the closed loop system
- Flow rate is in proportion to drive speed and displacement
- By adjusting the angle of the rotating bent plate can control to get the stepless oil flow rate.
- When bent plate pass through mid-position the flow direction of the hydraulic oil will change smoothly.
- The high pressure side is equipped with two pressure overflow valves to prevent overload of the static transmission of pump and motor.
- The built-in oil supplement pump acts as the slippage pump and the control pump. The maximum oil supplement pressure is limited by a built-in low pressure overflow valve.

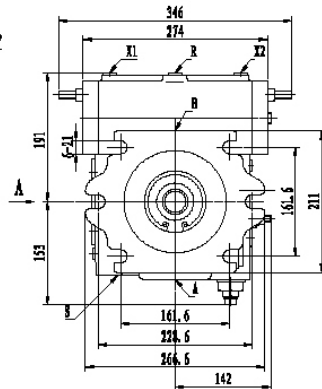
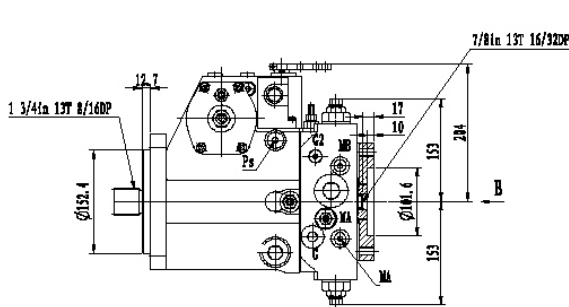
● IA4VG71EP2-F07-00



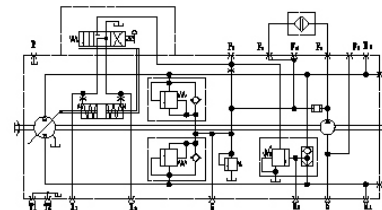
液压原理图
HYDRAULIC SCHEMATIC



主泵额定排量 Rated Displacement of Main Pump cc/r	主泵额定压力 Rated Pressure of Main Pump bar	补油泵额定排量 Rate Displace of Charge Pump cc/r	补油泵设定压力 The Set Pressure of Charge Pump bar	最大转速 Max. Speed r/min
71+71	400	19.6	25	3000

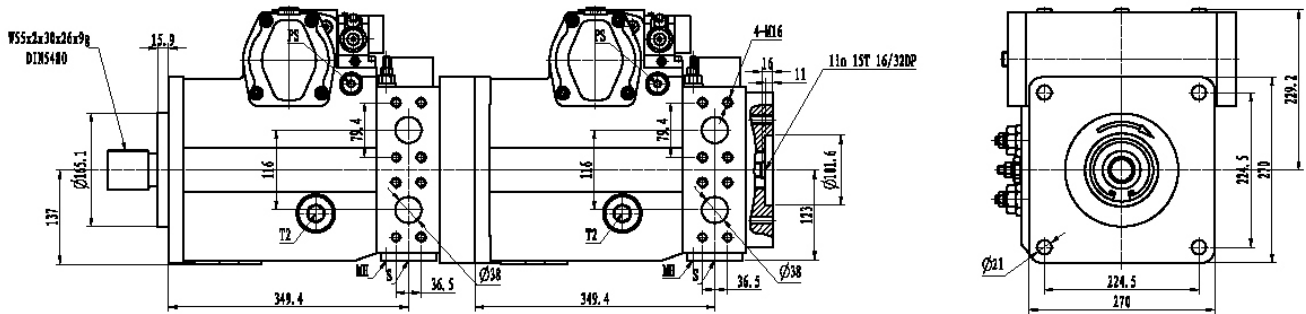


液压原理图
HYDRAULIC SCHEMATIC

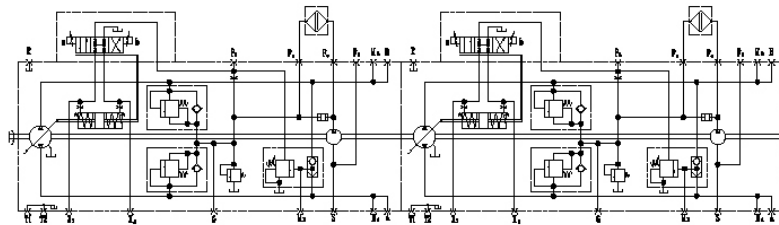


主泵额定排量 Rated Displacement of Main Pump cc/r	主泵额定压力 Rated Pressure of Main Pump bar	补油泵额定排量 Rate Displace of Charge Pump cc/r	补油泵设定压力 The Set Pressure of Charge Pump bar	最大转速 Max. Speed r/min
125	400	28.3	25	2850

● IA4VG250-32-36-00



液压原理图
HYDRAULIC SCHEMATIC



主泵额定排量 Rated Displacement of Main Pump cc/r	主泵额定压力 Rated Pressure of Main Pump bar	补油泵额定排量 Rate Displace of Charge Pump cc/r	补油泵设定压力 The Set Pressure of Charge Pump bar	最大转速 Max. Speed r/min
250+250	400	52.5	30	2400