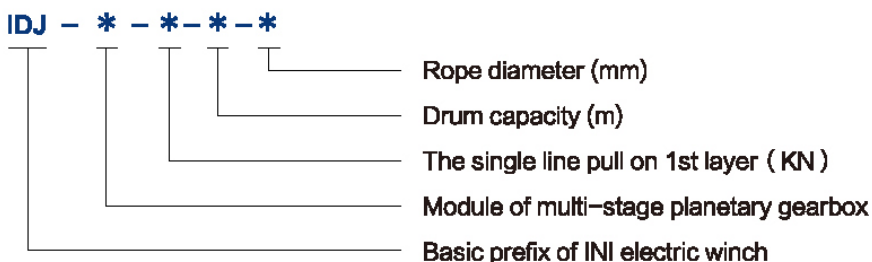


● IDJ Series Electric Winch

1. Brief Introduction

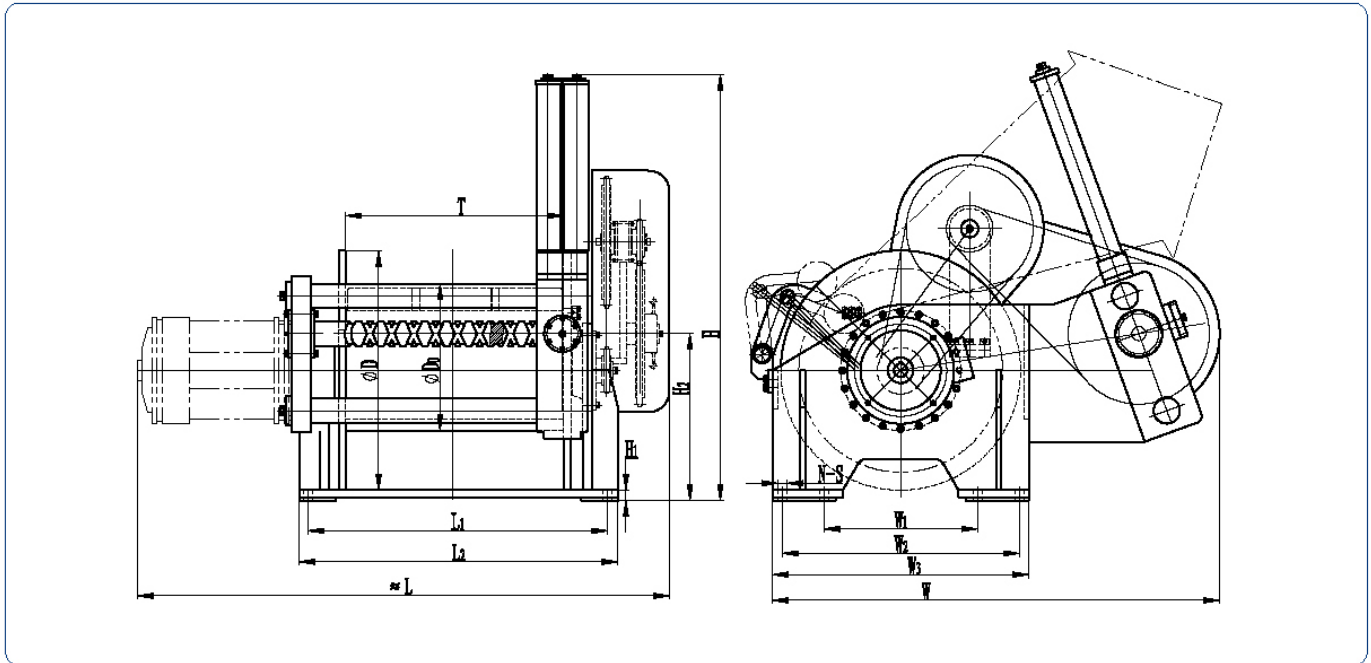
IDJ series electric winch consist of electromotor with brake, planetary gearbox, drum, and frame. The customer only equip electric box for winch performance. The series feature compact design, simply and rugged construction, high reliability, and good economy. For the working conditions with large lifting height, large loading and unloading capacity and frequent work, the electric winch has good speed regulation performance. It can make the air hook drop rapidly, and can be adjusted to a smaller speed for materials that are sensitive to installation and positioning to make it run smoothly. Therefore they have been widely applied in ship and deck machinery, construction machinery.

2. Model Options



3. Options Example

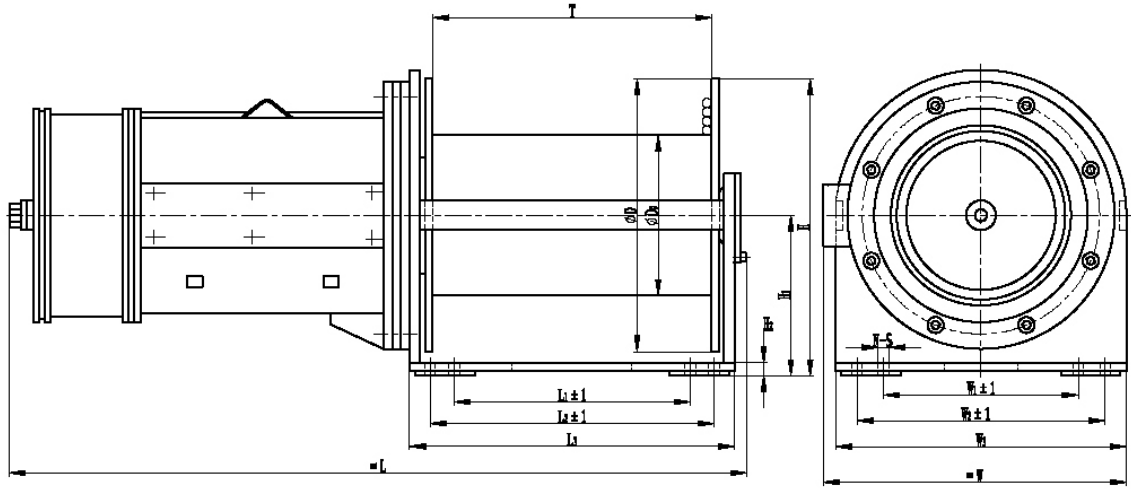
IDJ23-10-30-14 represents that the electric winch adopts two stages planetary gearbox, the modules of gearbox are 2.5 and 3 respectively, the single line pull on 1st layer is 10kN, the drum capacity is 30m, and the rope diameter is 14mm.



- 注:**
- 1.容绳量为绞车的理论容绳量，实际允许的有效容绳量应考虑保留钢丝绳3圈以防绳头脱出；
 - 2.表格里的外形尺寸均包括电机尺寸，用户若所配的电机电特殊，则联接部分的过渡板和连接套需特殊加工。

- Note:**
- 1.Drum capacity indicates theoretic valve.Maintain mandatory minimum of three wraps of wire rope to be left on the drum at all times for safety.
 - 2.The dimension of general electric motor is included in above installation drawing.If fitted electricmotor is specific,the connection dimension is also changed.

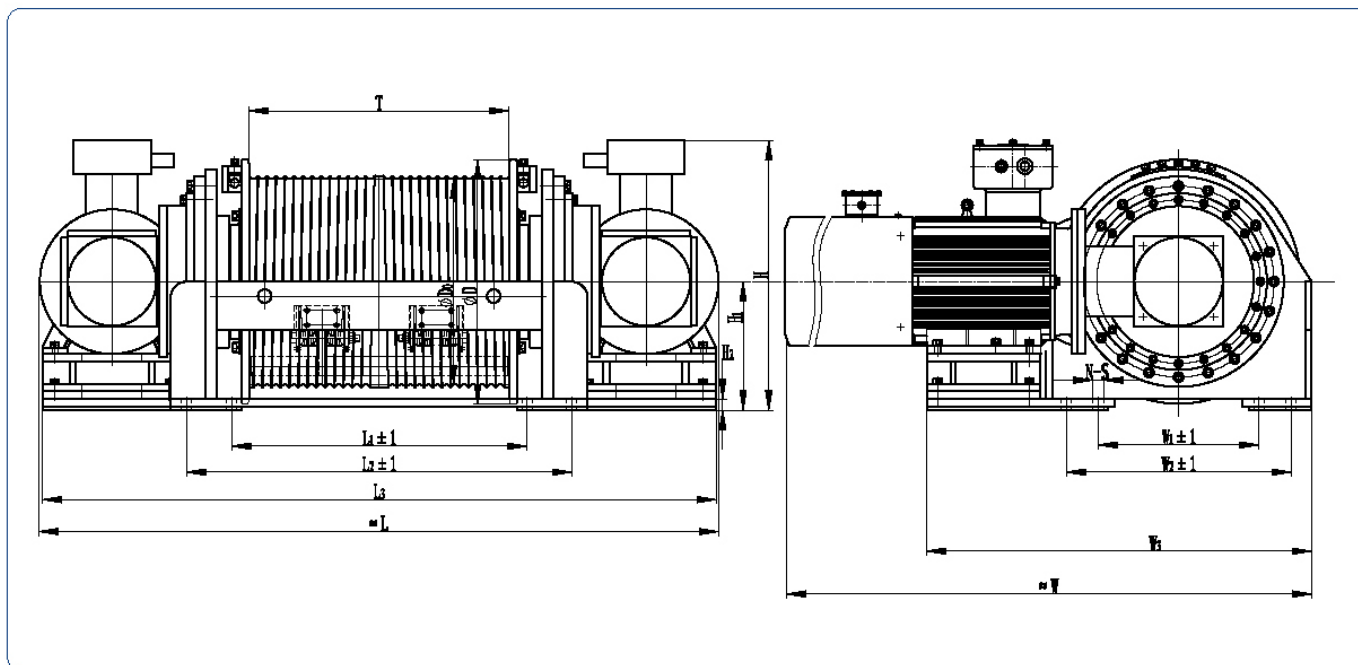
主要性能参数 Main specification											外形尺寸 Overall dimensions															
系列代号 Serial code	型号 Model	第一层 the 1st layer		钢丝绳 直径 Diameter of rope (mm)	层数 layer	容绳量 Capacity of rope (t)	电机型号 Model of electricmotor	电 机 参 数 Parameter of electricmotor		总 传 动 比 Ratio	电机功率 Power (KW)	D ₀	D	T	L ₁	L ₂	L	W ₁	W ₂	W ₃	W	H ₁	H ₂	H	N	S
		拉力 Pull (KN)	转速 Speed (a/min)					电压 Volt (V)	频率 Frequency (Hz)																	
IDJ23	IDJ023-2-400-17	2.2	27	17	8	400	YZ-112S-6-E	380	50	63	1.1	500	840	567	-	997	1448	-	-	930	1100	114	444	1920	-	-
IDJ233	IDJ233-10-3000-6-Z	16.5	11.8	28	4	500	IDGF-132S-4	440	60	163.5	5.5	345	688	626	860	914	1116	440	680	735	1343	30	374	1222	8	Φ26



- 注:**
- 1.容绳量为绞车的理论容绳量,实际允许的有效容绳量应考虑保留钢丝绳3圈以防绳头脱出;
 - 2.表格里的外形尺寸均包括电机尺寸,用户若所配电机特殊,则联接部分的过渡板和连接套需特殊加工。

- Note:**
- 1.Drum capacity indicates theoretic valve.Maintain mandatory minimum of three wraps of wire rope to be left on the drum at all times for safety.
 - 2.The dimension of general electric motor is included in above installation drawing.If fitted electricmotor is specific,the connection dimension is also changed.

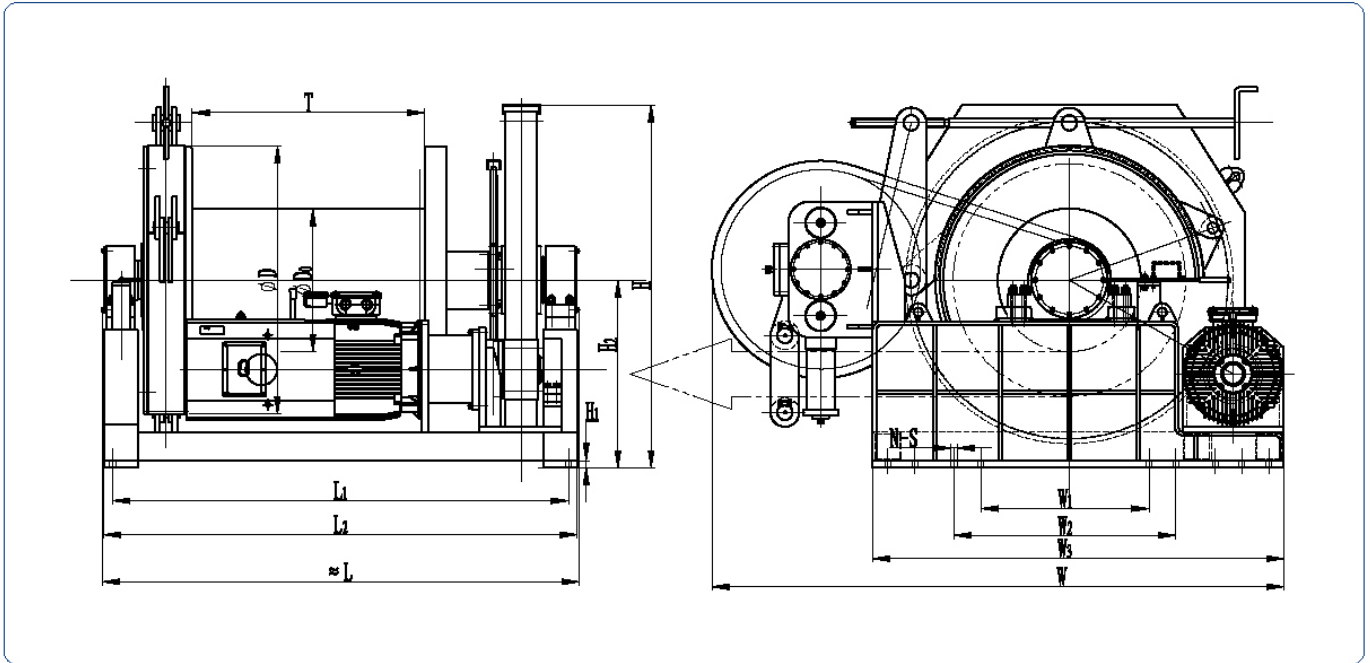
主要性能参数 Main specification											外形尺寸 Overall dimensions																
系列代号 Serial code	型号 Model	第一层 the 1st layer		钢丝绳直径 Diameter of rope (mm)	层数 layer	容绳量 Capacity of rope (m)	电机型号 Model of electromotor	电机 Parameter of electromotor		减速器 传动比 Ratio	电机功率 Power (KW)	D ₀	D	T	L ₁	L ₂	L ₃	L	W ₁	W ₂	W ₃	W	H ₂	H ₁	H	N	S
		拉力 Pull (kN)	绳速 Speed (m/min)					电压 Volt(V)	频率 Frequency (Hz)																		
IDJ23	IDJ23-10-130-14	10	15	14	4	130	YZ-132B-6-H	380	50	49	3.7	270	460	470	—	438	548	1242	—	380	490	510	22	270	500	4	φ26
	IDJ23-15-130-14	15	15	14	4	130	YZ-132M-6-H	380	50	49	5.5																
	IDJ23-20-130-14	20	18	14	4	130	YZ-160S-6-H	380	50	49	7.5																
	IDJ23-30-130-14	30	16	14	4	130	YZ-160L-6-H	380	50	49	11																
IDJ233	IDJ233-35-171-16	35	10.8	16	4	171	YZ-132M2-4-H	380	50	125	7.5	300	520	635	—	805	865	1285	—	420	520	560	26	275	535	4	φ26
	IDJ233-40-171-16	40	10.8/3.8	16	4	171	JZ2-II-33-4/12	380	50	125	8.5/3.5																
	IDJ233-48-160-18	48	11.5	18	4	160	YBJ162M-4-B5	380	50	100	11																
IDJ234	IDJ234-60-90-18	60	9	18	3	90	YBJ162M-4-B5	380	50	192.5	11	380	532	436	—	624	704	1180	—	460	540	572	30	300	566	4	φ26
IDJ335.55.5	IDJ335.55.5-150-35-24	150	6.2	24	1	35	ISM61-22D15CD	380	100	598.3	18.1	752	952	446	—	906	986	1419	620	870	1000	—	34	565	1041	8	φ26
	IDJ335.55.5-250-35-28	250	6.2	28	1	35	ISM61-30D15CD	380	100	598.3	30.6	760	952	446	600	906	986	1446	620	870	1000	—	34	495	971	16	φ26
IDJ335.55.5	IDJ335.55.5-170-200-36	170	58	36	3	200	TBZYC-200	660/1140	150	73.1	200	870	1200	816	740	1140	1220	2023	840	1200	1280	—	39	653	1253	16	φ32
	IDJ335.55.5-220-200-36	220	44.5	36	3	200	TBZYC-200	660/1140	150	95.8	200	870	1200	816	740	1140	1220	2023	840	1200	1280	—	39	653	1253	16	φ32
IDJ46	IDJ46-180-43-28	50-180	122-5	28	1	43	YVF2-315L ₂ -6-H	380	50	32.04	132	595	655	649.9	—	1020	1080	2369	450	830	1310	—	40	435	791.5	16	φ32



- 注:**
- 1.容绳量为绞车的理论容绳量，实际允许的有效容绳量应考虑保留钢丝绳3圈以防绳头脱出；
 - 2.表格里的外形尺寸均包括电机尺寸，用户若所配电机特殊，则联接部分的过渡板和连接套需特殊加工。

- Note:**
- 1.Drum capacity indicates theoretic valve.Maintain mandatory minimum of three wraps of wire rope to be left on the drum at all times for safety.
 - 2.The dimension of general electric motor is included in above installation drawing.If fitted electricmotor is specific,the connection dimension is also changed.

主要性能参数 Main specification											外形尺寸 Overall dimensions																
系列代号 Serial code	型号 Model	第一层 the 1st layer		钢丝绳 直径 Diameter of rope (mm)	层数 Capacity layer of rope (n)	容绳量 Capacity (t)	电机型号 Model of electromotor	电机 Parameter of electromotor		总 传动比 Ratio	电机功率 Power (KW)	D ₀	D	T	L ₁	L ₂	L ₃	L	W ₁	W ₂	W ₃	W	H ₂	H ₁	H	N	S
		拉力 Pull (KN)	绳速 Speed (m/min)					电压 Volt (V)	频率 Frequency (Hz)																		
IDJ544	IDJ544-45-180-16	45	35	16	4	18.0	YZ225S-4-II-B35	440	60	67	37	500	840	413	-	614	672	1226	510	750	900	2062	30	455	875	8	φ26
	IDJ544-55-75-22	55	20	2.2	3	7.5	YZ200M-6-II-B5	440	60	82	22	440	700	423	-	657	727	1175	390	570	630	1888	40	370	722	8	φ24
	IDJ544-63-93-24	63/73	24.5/11	2.4	3	9.3	YZ250M-6/12-II-B35	440	60	67	16/30	440	704	487.5	-	712	782	1283	390	570	630	2038	40	370	722	8	φ24
IDJ33.75	IDJ33.75-83-100-26	83	17	2.6	4	10.0	YZ25-6-II-B35	440	60	113	30	500	840	413	-	614	672	1226	510	750	900	2062	30	455	875	8	φ26
IDJ355	IDJ355-200-58-26	200	18.8	2.6	1	5.8	YB3-225B-4-II	380	50	185.4	37	640	760	784	920	1200	1298	2098	500	700	828	1865	35	400	840	16	φ32

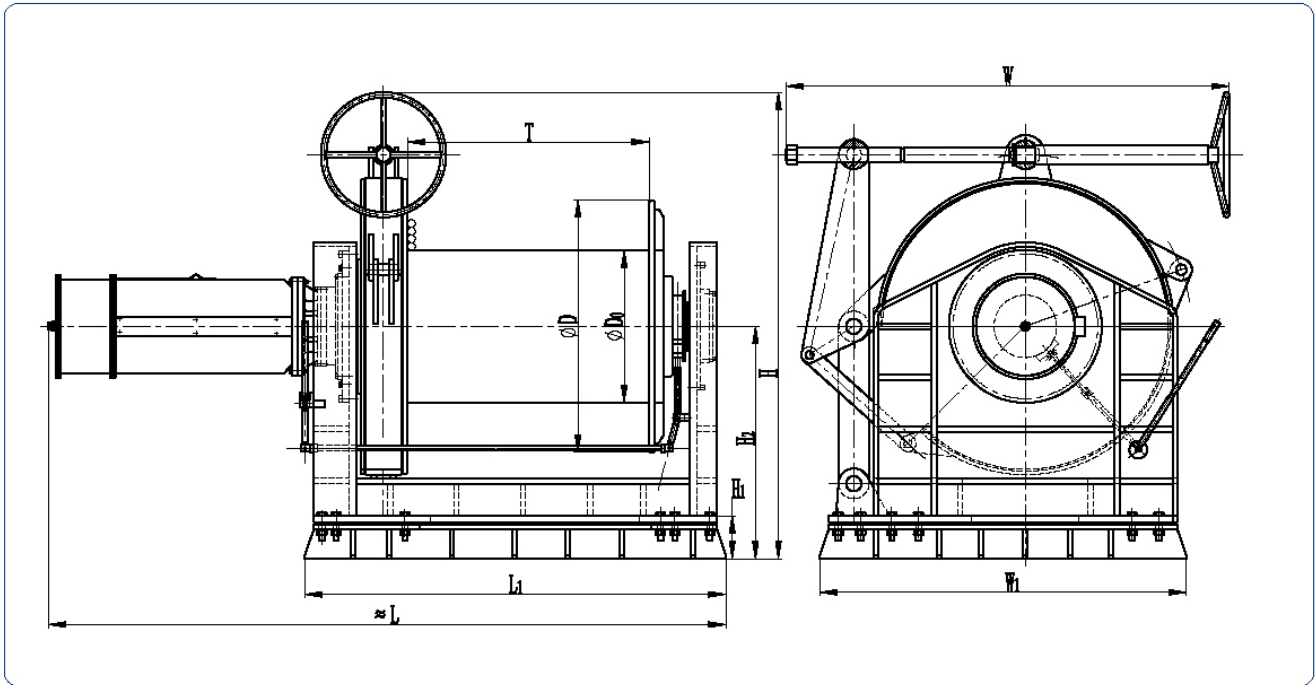


- 注:**
- 1.容绳量为绞车的理论容绳量，实际允许的有效容绳量应考虑保留钢丝绳3圈以防绳头脱出；
 - 2.表格里的外形尺寸均包括电机尺寸，用户若所配电机特殊，则联接部分的过渡板和连接套需特殊加工。

Note:

- 1.Drum capacity indicates theoretic valve.Maintain mandatory minimum of three wraps of wire rope to be left on the drum at all times for safety.
- 2.The dimension of general electric motor is included in above installation drawing.If fitted electricmotor is specific,the connection dimension is also changed.

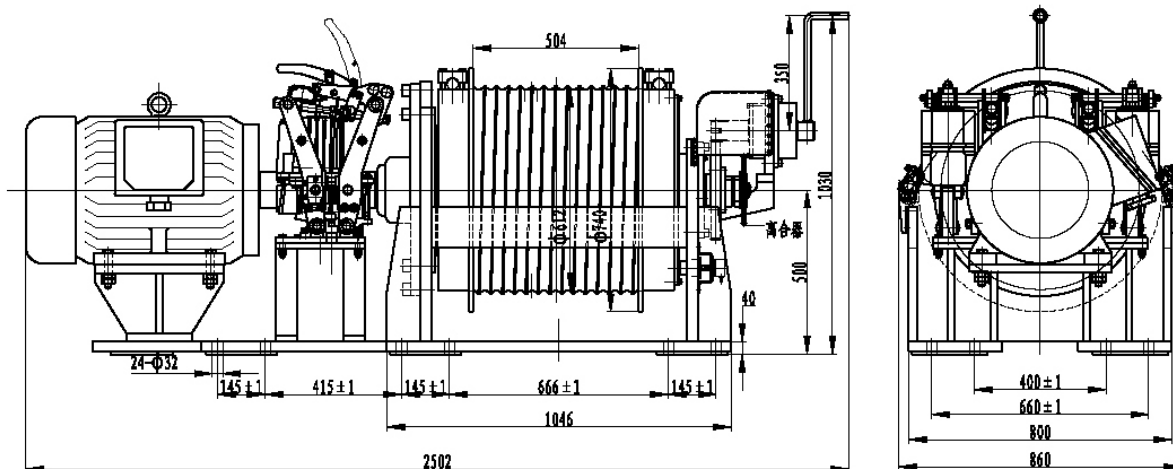
主要性能参数 Main specification											外形尺寸 Overall dimensions															
系列代号 Serial code	型号 Model	第一层 the 1st layer		钢丝绳直径 Diameter of rope (mm)	层数 layer of rope (b)	容绳量 Capacity of rope (b)	电机型号 Model of electromotor	电机参数 Parameter of electromotor		总传动比 Ratio	电机功率 Power (KW)	D ₀	D	T	L ₁	L ₂	L	W ₁	W ₂	W ₃	W	H ₁	H ₂	H	N	S
		拉力 Pull (kN)	转速 Speed (r/min)					电压 Volt (V) (Frequency 50Hz)	频率																	
IDJ344	IDJ344-50-200-28-D	63	12/5.7/2.75	28	4	200	JZ2-B42-4/8/16	380	50	228	11/11/7.5	600	965	630	1050	1100	1864	800	980	1135	1325	30	530	1227	10	Φ26
IDJK34514	IDJK34514-150-400-50-LDB	110/220	8/4	50	5	400	WZ1-250S/M	380	50	672	37	800	1500	1300	2550	2650	2668	940	1240	2300	3200	40	1050	2030	18	Φ32



- 注:**
- 1.容绳量为绞车的理论容绳量，实际允许的有效容绳量应考虑保留钢丝绳3圈以防绳头脱出；
 - 2.表格里的外形尺寸均包括电机尺寸，用户若所配电机特殊，则联接部分的过渡板和连接套需特殊加工。

- Note:**
- 1.Drum capacity indicates theoretic valve.Maintain mandatory minimum of three wraps of wire rope to be left on the drum at all times for safety.
 - 2.The dimension of general electric motor is included in above installation drawing.If fitted electricmotor is specific,the connection dimension is also changed.

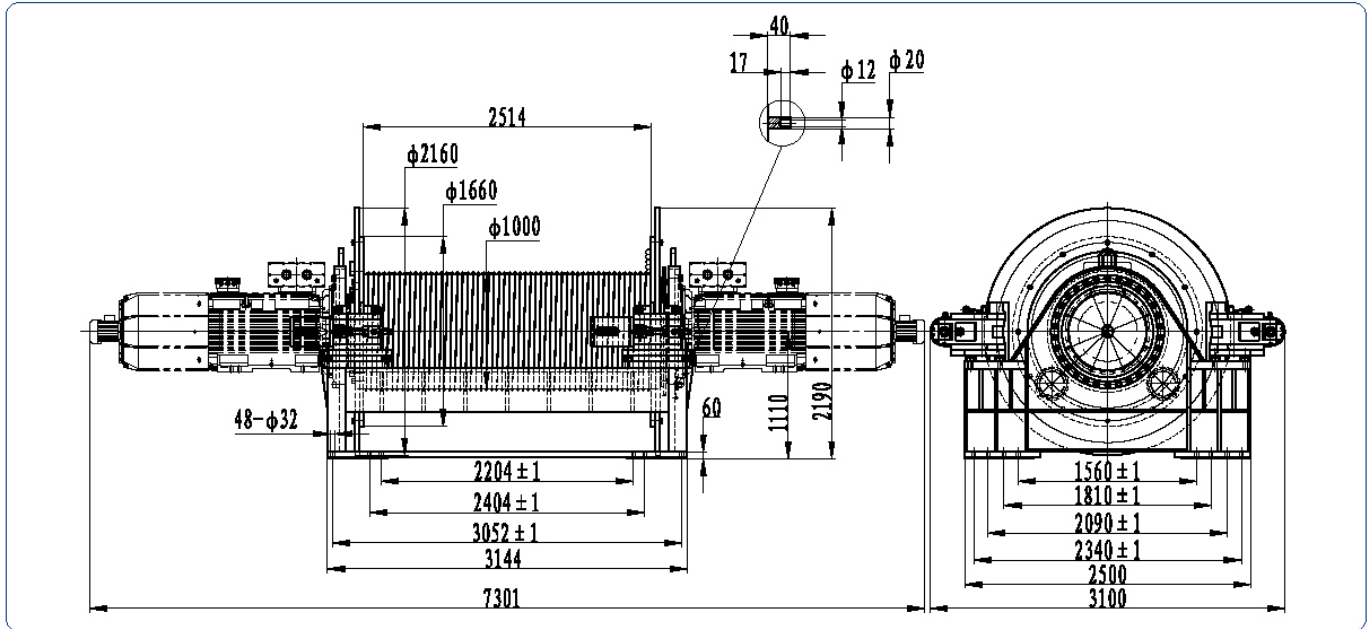
主要性能参数 Main specification												外形尺寸 Overall dimensions									
系列代号 Serial code	型号 Model	第一层 the 1st layer		钢丝绳直径 Diameter of rope (mm)	层数	总绳量 Capacity of rope (m)	电机型号 Model of electromotor	电动机 Parameter of electromotor		总 传动比 Ratio	电动机功率 Power (KW)	D ₀	D	T	L ₁	L	W ₁	W	H ₁	H ₂	H
		拉力 Pull (KN)	绳速 Speed (m/min)					电压 Volt (V)	频率 Frequency (Hz)												
IDJ234	IDJ234-40-500-24	40	8	24	8	500	YZ132M2-4-B	380	50	198	7.5	410	914	800	1378	2053	1090	1260	120	620	1275
IDJ35.5S.5	IDJ35.5S.5-150-500-28-D	150	15	28	4	500	YVP2280S-6-II-B35	415	50	192.8	50	900	1236	1160	1755	2831	1465	1830	180	945	1920
IDJ479	IDJ479-120-350-43	120/240/360	6.4/3.2/1.6	43	4	350	JZ2-II-72-4/8/16	380	50	198	60/60/45	850	1410	1350	2555	3790	2050	2480	240	1300	2610



- 注:**
- 1.容绳量为绞车的理论容绳量，实际允许的有效容绳量应考虑保留钢丝绳3圈以防绳头脱出；
 - 2.表格里的外形尺寸均包括电机尺寸，用户若所配的电机电特殊，则联接部分的过渡板和连接套需特殊加工。

- Note:**
- 1.Drum capacity indicates theoretic valve.Maintain mandatory minimum of three wraps of wire rope to be left on the drum at all times for safety.
 - 2.The dimension of general electric motor is included in above installation drawing.If fitted electricmotor is specific,the connection dimension is also changed.

型号 Model	第一层 the 1st layer		钢丝绳 直径 Diameter of rope (mm)	层 数 layer	容绳量 Capacity of rope (m)	电机型号 Model of electromotor	电 制 Parameter of electromotor		减速度 传动比 Ratio	电机功率 Power (KW)
	拉力 Pull (KN)	绳速 Speed (m/min)					电压 Volt (V)	频率 Frequency (Hz)		
IDJ35.55.5-300-18-34	300	4.5	34	1	18	Y225M-6-H-B3	380	50	439.8	30



- 注:**
- 1.容绳量为绞车的理论容绳量，实际允许的有效容绳量应考虑保留钢丝绳3圈以防绳头脱出；
 - 2.表格里的外形尺寸均包括电机尺寸，用户若所配的电机电特殊，则联接部分的过渡板和连接套需特殊加工。

- Note:**
- 1.Drum capacity indicates theoretic valve.Maintain mandatory minimum of three wraps of wire rope to be left on the drum at all times for safety.
 - 2.The dimension of general electric motor is included in above installation drawing.If fitted electricmotor is specific,the connection dimension is also changed.

型号 Model	第一层 the 1st layer		钢丝绳 直径 Diameter of rope (mm)	层数 layer	容绳量 Capacity of rope (m)	电机型号 Model of electromotor	电制 Parameter of electromotor		减速器 传动比 Ratio	电机功率 Power (KW)
	拉力 Pull (KN)	绳速 Speed (m/min)					电压 Voli (V)	频率 Frequency (Hz)		
IDJ699-600-1000-44	600	2-60	44	5	1000	SXLEB355ML..S-IM2001	440	60	88.3116	350x2