

● IGH Series Hydraulic Slewing Drive

1. Brief Introduction

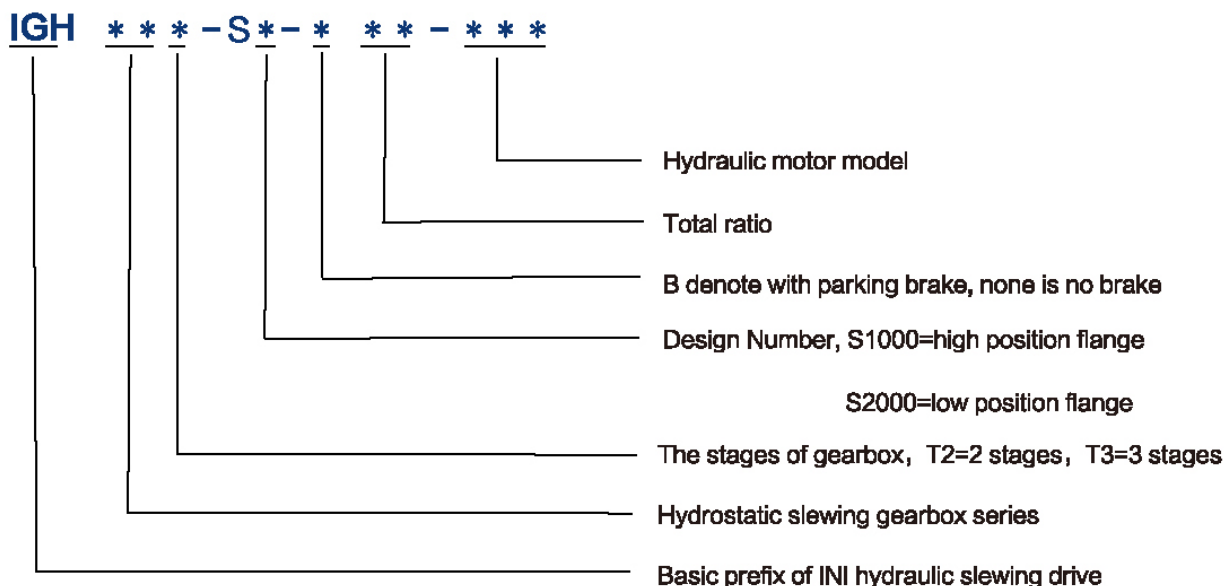
The IGH Series Hydraulic Slewing Drive are the ideal driving components for wheeled or crawler excavator, rotary drill rigs, crawler cranes and vehicle cranes, marine cranes and other mobile equipment. The series have proven their worth under arduous application conditions in the most unfavorable operating environments.

The series feature compact size, space-saving, high efficiency, long service life, integrated multiple-disk holding brake, simple mounting and maintenance. Module design and optimize gear manufacture and high quality fabrication processes ensure excellent load carrying ability and outstanding operational reliability.

The series described in this catalog are of the standard type. Other design variants with different ratio, dimensions and power characteristics are available if so requested for specific applications. We can provide specific application consultation to customers aimed at finding the optimum drive configuration at the project stage.

The drives have been widely applied in wheeled or crawler excavators, crawler cranes, rotary drill rigs, marine cranes. The drives not only widely have been used by domestic customer such as SANY, XCMG, but also have been exported to Southeast Asia, Middle East, India, South Korea, Netherlands, Germany and Russia and so on.

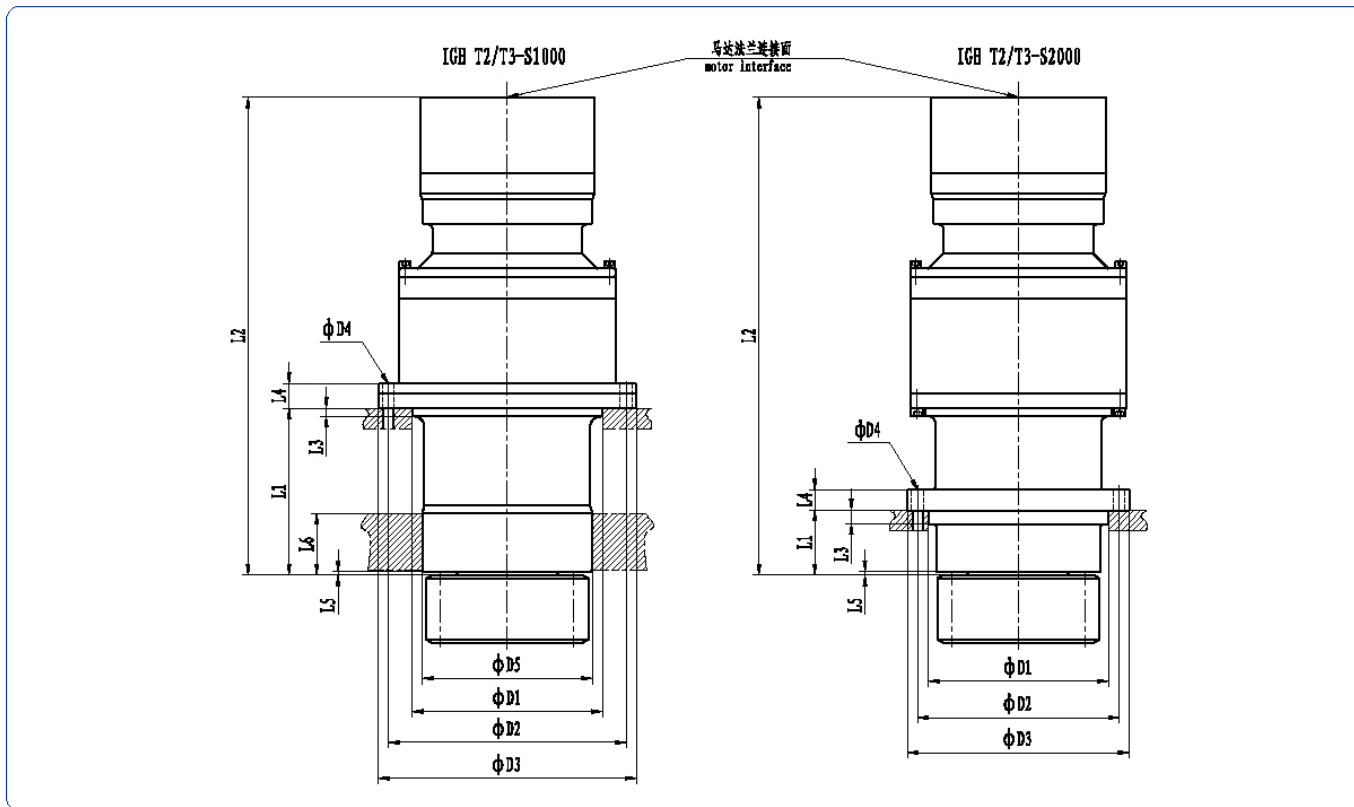
2. Model Options



3. Options Example

IGH17T2-S1000-B27.4-A2FE56/61WVZL represents that the series swing gearbox is 17 with maximum output torque of 12.7kNm, high position flange, two stages planetary gearbox with a total ratio of 27.4 and a multi-disc parking brake, and could be fitted with axial piston hydraulic motor of A2FE56/61WVZL.

● IGH



系列代号 Serial code	最大输出扭矩 Output Torque T _{max} Nm	传动比 Ratio i	液压马达 Hydraulic Motor				重量 Weight ≈ kg	D1	D2	D3	D4	D5	L1	L2	L3	L4	L5	L6
			A2FM45 A2FM55 A2FM63	A2FB45 A2FB56 A2FB63	H1CR45 H1CR55	HMP28 HMP35 HMP55		D1	D2	D3	D4	D5	L1	L2	L3	L4	L5	L6
IGH17T2-S1000	12700	24.7 · 27.4 · 33.1 · 38.6 · 46.4 · 55	A2FM45 A2FM55 A2FM63	A2FB45 A2FB56 A2FB63	H1CR45 H1CR55	HMP28 HMP35 HMP55	255F7	290	320	16x φ18	230F7	200	≈ 517	8	38	5	60	
IGH17T2-S2000							230F7	258	282	20x φ13.5	-	80	≈ 517	60	38	5	-	
IGH17T3-S1000	12700	65.2 · 78.9 · 89.2 · 103.6	A2FM45 A2FM55 A2FM63	A2FB45 A2FB56 A2FB63	H1CR45 H1CR55	HMP28 HMP35 HMP55	255F7	290	320	16x φ18	230F7	200	≈ 517	8	38	5	60	
IGH17T3-S2000							230F7	258	282	20x φ13.5	-	80	≈ 517	60	38	5	-	
IGH24T3-S1000	17500	91.1 · 103.6 · 121.5 · 138.2	A2FM45 A2FM55 A2FM63	A2FB45 A2FB56 A2FB63	H1CR45 H1CR55	HMP28 HMP35 HMP55	265h8	315	355	20x φ17.5	230h8	245	≈ 598	15	34	8	75	
IGH36T2-S1000	28500	18.37 · 24 · 28.93 · 45 · 49.1					A2FM45 A2FM55 A2FM63	A2FB45 A2FB56 A2FB63	H1CR45 H1CR55	HMP28 HMP35 HMP55	280h8	350	380	20x φ18	250h8	245	≈ 670	12
IGH36T2-S2000			265h8	296	326	24x φ18					-	95	≈ 670	20	30	5	-	
IGH36T3-S1000	28500	68 · 80.4 · 89.2 · 101 · 117.6 · 131.4 · 204	A2FM45 A2FM55 A2FM63	A2FB45 A2FB56 A2FB63	H1CR45 H1CR55	HMP28 HMP35 HMP55	280h8	350	380	20x φ18	250h8	245	≈ 670	12	36	5	90	
IGH36T3-S2000/1							265h8	296	326	24x φ18	-	95	≈ 670	20	30	5	-	
IGH36T3-S2000/2							360h8	400	440	24x φ18	-	112	≈ 670	30	30	12	-	
IGH60T3-S1000/1	48500	80.8 · 87.5 · 95.8 · 106.5 · 120.8 · 140.9 · 170.9	A2FM45 A2FM55 A2FM63	A2FB45 A2FB56 A2FB63	H1CR45 H1CR55	HMP28 HMP35 HMP55	400h8	490	542	16x φ22	325h8	279	≈ 763	25	40	19	114	
IGH60T3-S1000/2							300h8	370	410	20x φ22	-	96	≈ 775	78	30	18	-	
IGH60T3-S2000							400h8	490	542	16x φ22	325h8	450	≈ 729	25	40	19	114	
IGH80T3-S1000/1	68300	77.7 · 100 · 111.9 · 127.9 · 150.9 · 186.4 · 253.8	A2FM80 A2FM107 A2FM125	A2FB80 A2FB90 A2FB107	H1CR75 H1CR90 H1CR108	HMP75 HMP105 HMP135	440F7	480	515	24x φ26	370F7	314	≈ 885	14	40	21	162	
IGH80T3-S1000/2							490h8	535	580	24x φ26	440h8	491	≈ 930	25	127	18	168	
IGH80T3-S2000							370h8	480	530	24x φ22	-	100	≈ 885	88	55	12	-	
IGH110T3-S1000	93300	96.8 · 115.8 · 129.6 · 148.2 · 174.9 · 216 · 312	A2FM125 A2FM160	A2FB107 A2FB125	HMP135 HMP165	HMP135 HMP165	475F7	520	570	24x φ26	440F7	449	≈ 950	20	40	20	160	
IGH110T3-S2000							490F7	544	594	24x φ26	-	170	≈ 928	20	40	15	-	
IGH160T3-S1000	136500	183 · 228 · 252	A2FM200	A2FB160	HMP210	HMP210	1025	545h9	600	650	30x φ26	425h9	314	≈ 986	15	40	14	184
IGH220T3-S1000	213000	98.7 · 146.4 · 189.9 · 247 · 294	A2FM250	A2FB180	HMP280	HMP280	1285	620h9	670	710	26x φ26	460h9	588	≈ 1301	20	50	10	160