

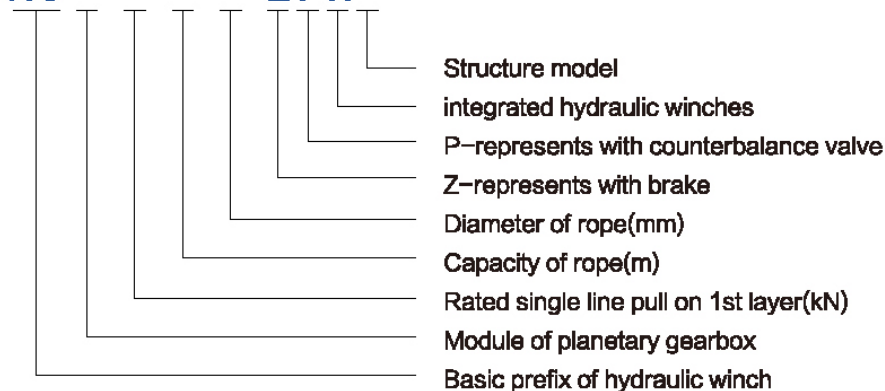
● IYJ-N Series Integrated Hydraulic Winches

1. Brief Introduction

IYJ-N series integrated hydraulic winches is independently developed by our company, has applied for a number of inventions and utility model patents, and obtained the "Made in Zhejiang" brand certification. And they are mainly consist of axial piston hydraulic motor, Z type hydraulic multi-disc brake and C type or KC type planetary gearbox, clutch, drum, support shaft, frame. hydraulic motor can choose different distributor according to the working conditions, such as counterbalance valve, overload valve, shuttle valve, speed control directional valve and other functions' valve. This series winches featured compact and elegant figure, small size and lightweight, and a high efficiency and power, low noise and good operating performance. Therefore, the series hydraulic winches have been widely used in mobile crane, vehicle crane, aerial platform, tracked vehicle and so on. IYJ series integrated hydraulic winches have been well sold in China company such as SANY, and also have been exported to the USA, Japan, Australia, Russia, Austria, Netherlands, Indonesia, Korea and other areas in the world.

2. Model Options

IYJ* - * - * - * - Z P N*



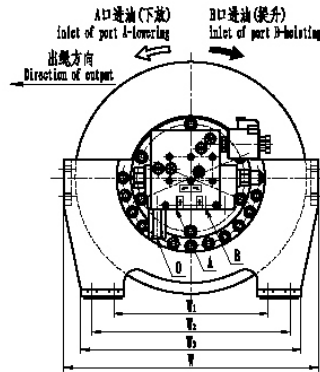
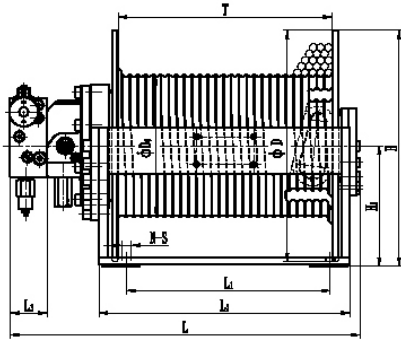
3. Options Example

IYJ22-20-55-10-ZPND represents that the hydraulic winch adopts two levels planetary gearbox, and the modules of the gearbox are 2 and 2 respectively, the rated single pull on 1st layer is 20KN, drum capacity is 55m, rope diameter is 10mm, Single speed integrated hydraulic winch with brake and balance valve.

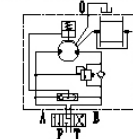
4. Parameter Description

- a. Total displacement represents the capacity of oil supply per revolution.
- b. Flow of oil supply indicates theoretical flow of pump when the volumetric efficiency is considered as 85%–94%.
- c. Drum capacity is theoretical drum capacity. The practical available capacity of rope should subtract the retained 3m wire in case of rope heads out of hand.
- d. This winch can't be used to carry people.

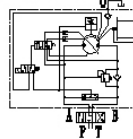
● IYJ-N



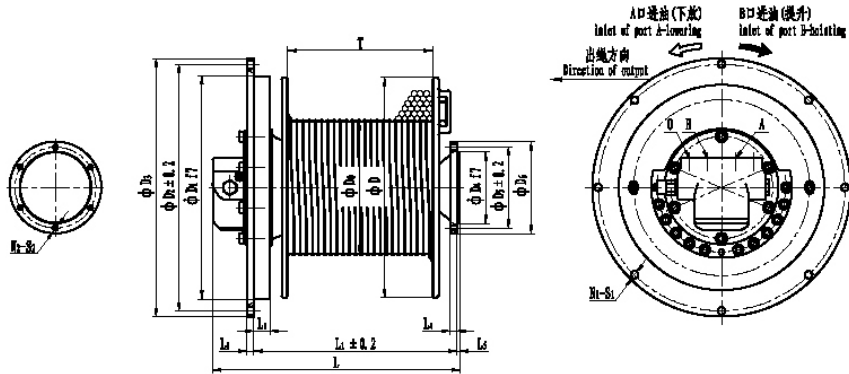
单速收车液压原理图
Hydraulic principle diagram of single speed winch



双速收车液压原理图
Hydraulic principle diagram of two-speed winch

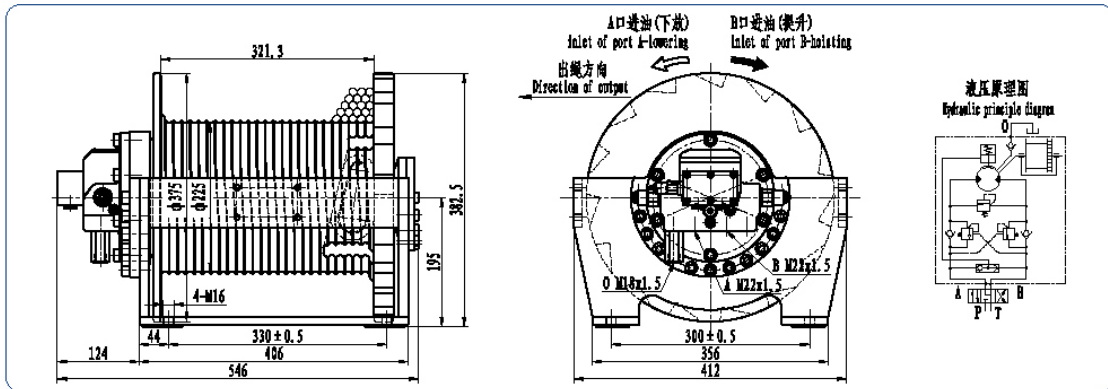


系列代号 Serial code	第一层拉力 The 1st Layer Pull		第一层绳速 The 1st Layer Rope Speed		总排量 Displacement		工作压力 Working pressure (MPa)	供油流量 Supply oil flow (L/min)	钢丝绳直径 Diameter of rope (mm)	层数 Layer	容绳量 Capacity of rope (m)	减速器传动比 Gearbox ratio	外形尺寸及油口规格 Overall dimensions and oil ports specifications																
	重载 Heavy load (kN)	轻载 Slight load (kN)	重载 Heavy load (m/min)	轻载 Slight load (m/min)	重载 Heavy load (ml/r)	轻载 Slight load (ml/r)							D ₀	D	T	L ₁	L ₂	L ₃	L	W ₁	W ₂	W ₃	W	H ₁	H	N	S	A, B	O
IYJ11-ND	3~12	-	10~50	-	337~515	-	10~30	10~42	5~10	4	55	19.81	165	230	144	160	212	0	301	-	192	230	250	120	235	4	Φ11	M22x1.5	M18x1.5
IYJ22-NA	10~20	-	10~40	-	810	-	10~25	6~30	10	5	75	45	185	305	218	200	289	0	337	-	260	300	315	160	313	4	M16	G3/4"	G1/2"
IYJ22-NB	10~20	3~8	8~25	20~60	810	405	10~25	6~30	8~11	3	28	45	184	279	168	160	245	138	383	-	230	270	295	150	289	4	M16	G1/2"	G3/8"
IYJ22-ND	10~25	-	10~40	-	480~763	-	16~25	9~57	8~12	5	55	21.86	172	279	173	178	261	0	357	-	200	249	310	146	286	4	Φ14	M22x1.5	M18x1.5
IYJ2.52.5-NA	25~40	-	8~36	-	900~1429	-	16~26	25~60	12~13	4	72	40.93	210	340	295	260	380	0	476	-	260	320	376	180	350	4	Φ17	M22x1.5	M18x1.5
IYJ2.52.5-NB	25~40	5~15	8~36	20~60	900~1429	450~929	16~26	25~60	12	5	122	40.93	225	375	347	330	406	60	566	-	300	356	412	195	383	4	M16	M22x1.5	M18x1.5
IYJ2.52.5-NC	15~30	-	10~45	-	844~1133	-	15~25	25~60	12	5	122	32.45	225	375	284	230	342	0	442	-	300	356	412	195	383	4	M16	M22x1.5	M18x1.5
IYJ2.52.5-ND	15~30	-	10~45	-	844~1133	-	15~25	25~60	12	5	122	32.45	225	375	347	330	406	0	506	-	300	356	412	195	383	4	M16	M22x1.5	M18x1.5
IYJ2.52.5-NE	15~25	-	10~45	-	844~1133	-	15~25	25~60	10	4	65	32.45	225	350	246	200	300	0	404	-	260	320	350	183	358	4	M16	M22x1.5	M18x1.5
IYJ2.52.5-NG	30~45	10~20	11~43	20~76	1817~2124	1089~1162	18~25	30~90	12	4	122	40.93	225	375	347	330	406	178	603	-	300	356	412	195	383	4	M16	M22x1.5	M18x1.5
IYJ33-NB	40~60	10~20	15~45	30~90	2177~2438	1064~1550	20~26	45~124	14	5	124	27.93	256	438	382	375	485	0	633	-	350	420	476	230	449	4	M24	G3/4"	G1/2"
IYJ33-ND	40~60	-	12~46	-	2618~2933	-	18~26	45~124	16	4	120	33.6	320	510	418	360	519	0	678	250	410	458	558	267	522	8	Φ26	G3/4"	G1/2"

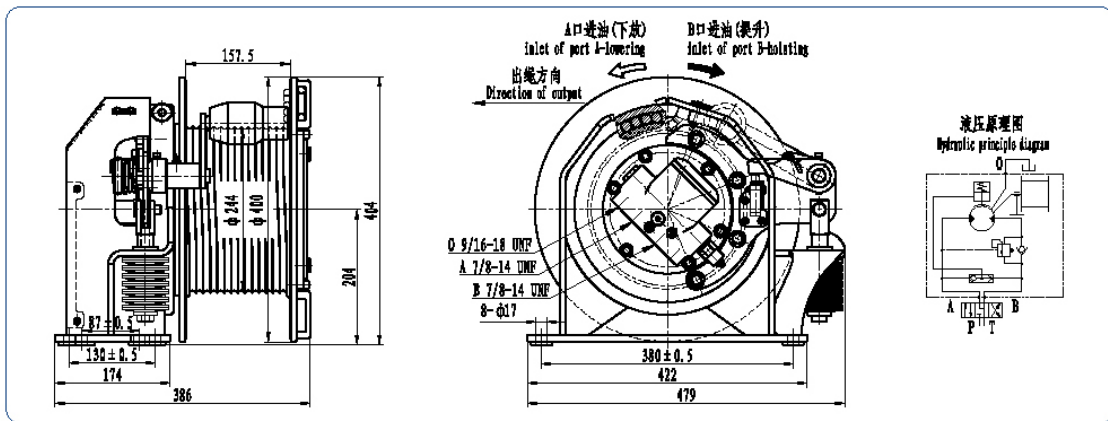


系列代号 Serial code	第一层拉力 The 1st layer Pull		总排量 Total displacement (ml/r)	工作压力 Working pressure (MPa)	供油流量 Supply oil flow (L/min)	钢丝绳直径 Diameter of rope (mm)	层数 Layer	容绳量 Capacity of rope (m)	减速器传动比 Gearbox ratio	外形尺寸及油口规格 Overall dimensions and oil ports specifications																				
	重载 Heavy load (kN)	绳速 Rope speed (m/min)								D ₀	D	T	L ₁	L ₂	L ₃	L ₄	L ₅	L	D ₁	D ₂	D ₃	D ₄	D ₅	D ₆	N ₁	S ₁	N ₂	S ₂	A, B	O
IYJ11-NF	5~12	3~12	435~602	8~24	10~42	8	4	43	19.81	165	246	152	216	10	20	9	7	313	196	210	224	80	96	110	9	M8	9	M8	M22x1.5	M18x1.5
IYJ22-NF	10~25	10~40	480~763	15~25	9~57	10	6	83	21.86	172	325	196	273	10	30	15	10	374	330	355	375	77	95	110	12	Φ11	12	M8	M22x1.5	M18x1.5
IYJ2.52.5-NF	15~25	12~45	844~1133	15~25	20~60	10	6	126	32.45	225	375	247	346	12	28	12	5	421	380	420	440	122	138	156	8	Φ13	6	M10	M22x1.5	M18x1.5
IYJ33-NF	40~60	12~46	2618~2933	18~26	18~26	14	5	124	33.6	320	500	330	431	20	10	18	18	580	270	300	325	182	206	233	12	Φ17	11	Φ15	G3/4"	G1/2"

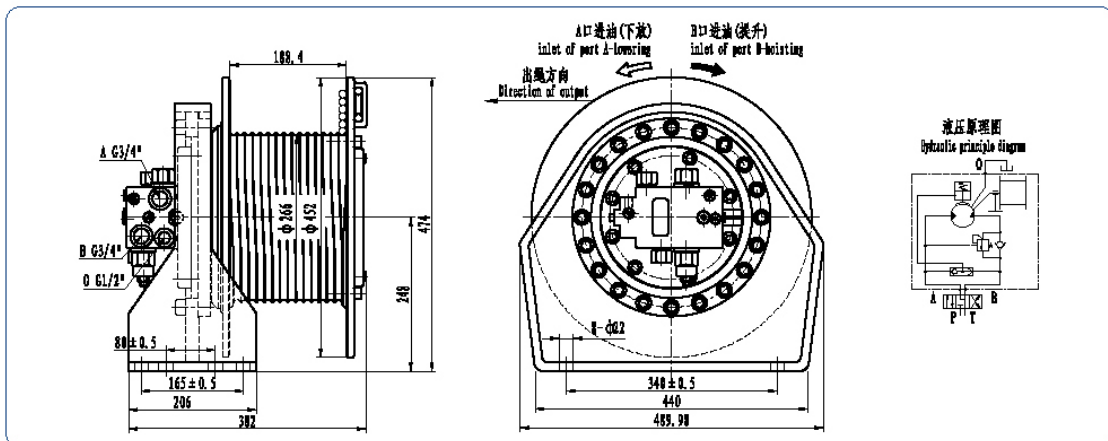
● IYJ-N



系列代号 Serial code	第一层拉力 The 1st Layer Pull (kN)	第一层绳速 The 1st Layer speed (m/min)	总排量 Total displacement (ml/r)	工作压力 Working pressure (MPa)	供油流量 Supply oil flow (L/min)	钢丝绳直径 Diameter of rope (mm)	层数 Layer	容绳量 Capacity of rope (m)	减速器传动比 Gearbox ratio
IYJ2.52.5-ND	25~40	8~36	900~1429	16~26	25~60	12	5	115	40.93



系列代号 Serial code	第一层拉力 The 1st Layer Pull (kN)	第一层绳速 The 1st Layer speed (m/min)	总排量 Total displacement (ml/r)	工作压力 Working pressure (MPa)	供油流量 Supply oil flow (L/min)	钢丝绳直径 Diameter of rope (mm)	层数 Layer	容绳量 Capacity of rope (m)	减速器传动比 Gearbox ratio
IYJ2.75-ND	15~25	20~52	962.5	16~26	27~70	10	6	80	32.63



系列代号 Serial code	第一层拉力 The 1st Layer Pull (kN)	第一层绳速 The 1st Layer speed (m/min)	总排量 Total displacement (ml/r)	工作压力 Working pressure (MPa)	供油流量 Supply oil flow (L/min)	钢丝绳直径 Diameter of rope (mm)	层数 Layer	容绳量 Capacity of rope (m)	减速器传动比 Gearbox ratio
IYJ23-ND	25~50	20~50	1435~1810	20~30	36~90	14	6	80	20.8